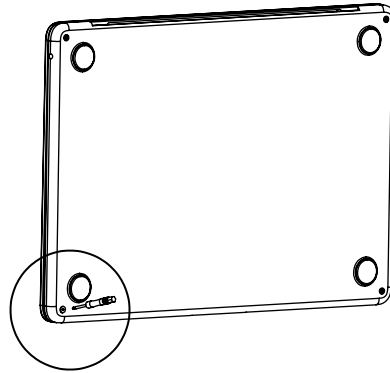
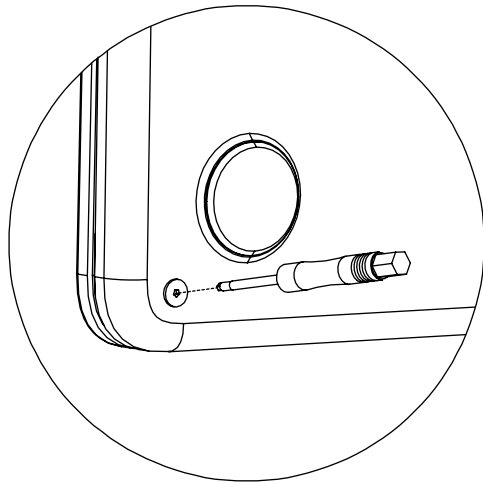


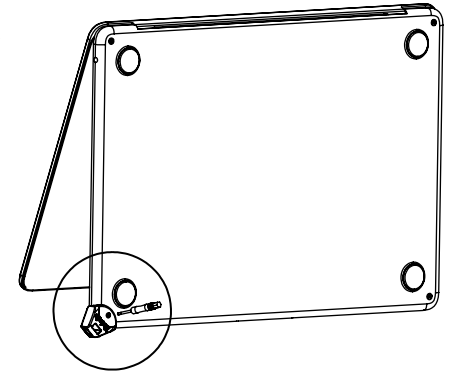
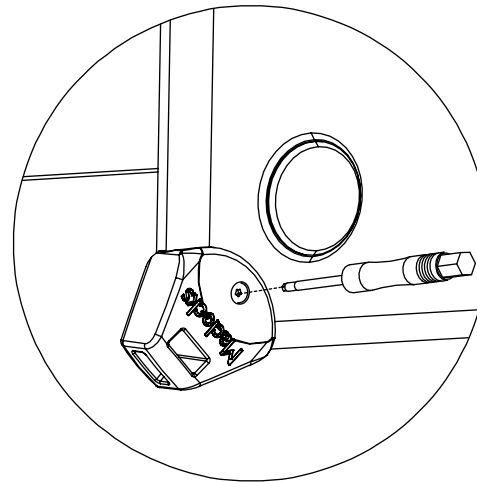
1

REMOVE SCREW ON THE CORNER OF THE LAPTOP USING SCREWDRIVER PROVIDED

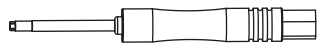


2

INSTALL LEDGE WHILE THE LAPTOP'S LID IS OPEN WITH THE SCREW PROVIDED



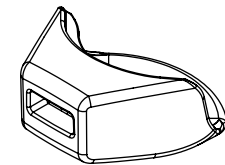
IN THE BOX



Screwdriver



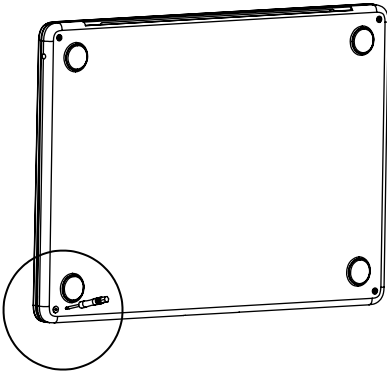
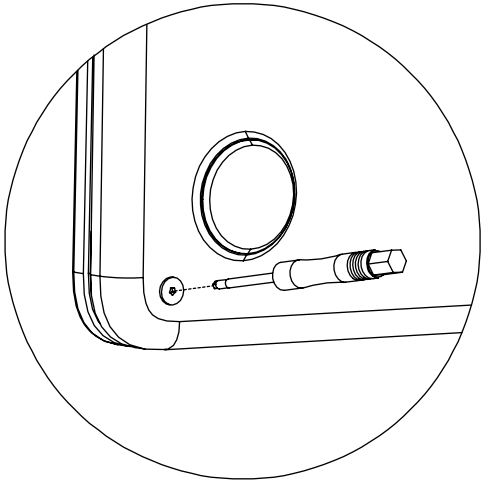
Attachment Screws
(Only one screw is required)



Ledge

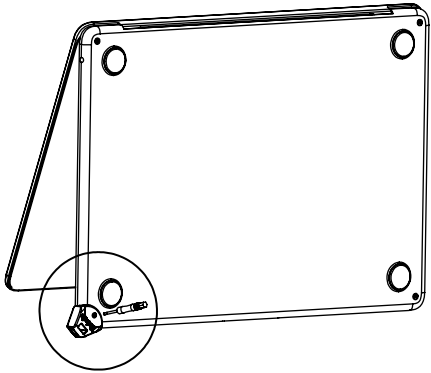
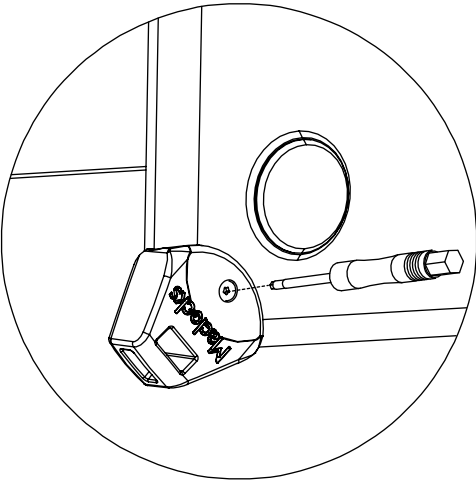
1

REMOVE SCREW ON THE CORNER OF THE LAPTOP USING SCREWDRIVER PROVIDED

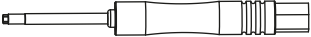


2

INSTALL LEDGE WHILE THE LAPTOP'S LID IS OPEN WITH THE SCREW PROVIDED



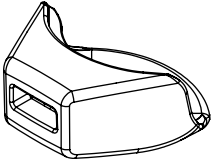
IN THE BOX



Screwdriver



Attachment Screws
(Only one screw is required)



Ledge