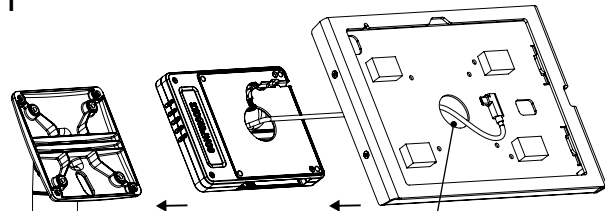


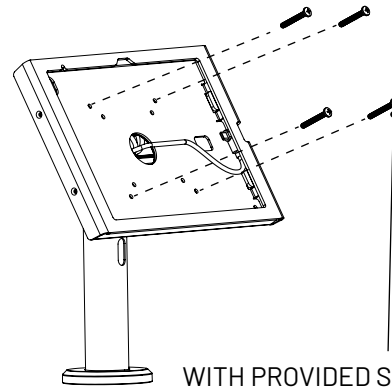
## With Stand

1



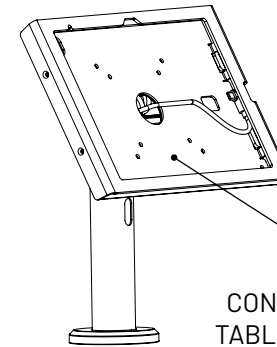
BRING THE PLUS HUB CABLE THROUGH THE CENTER HOLE OF THE BACKPLATE OF THE ENCLOSURE. ALIGN SCREW HOLES ON ENCLOSURE, PLUS HUB AND STAND.

2



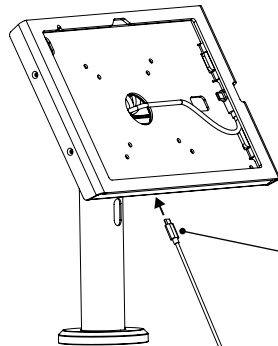
WITH PROVIDED SCREWS CONNECT THE ENCLOSURE THROUGH THE PLUS HUB TO THE STAND. TIGHTEN

3

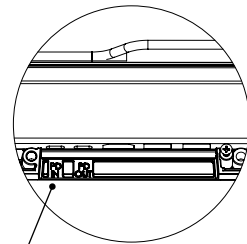


CONNECT PLUS HUB CABLE TO TABLET AND SECURE TOP PLATE AS PER INSTRUCTIONS PROVIDED FOR YOUR ENCLOSURE

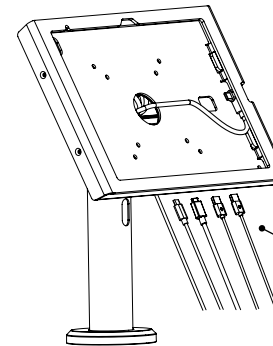
4



CONNECT POWER CABLE TO LEFT HAND INPUT PORT ON PLUS HUB

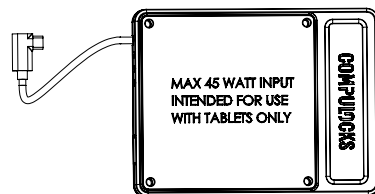


5

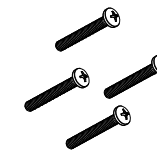


CONNECT OTHER CABLES TO PLUS HUB AS REQUIRED

## IN THE BOX

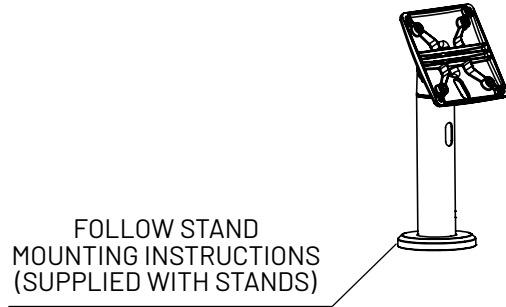


Plus Hub

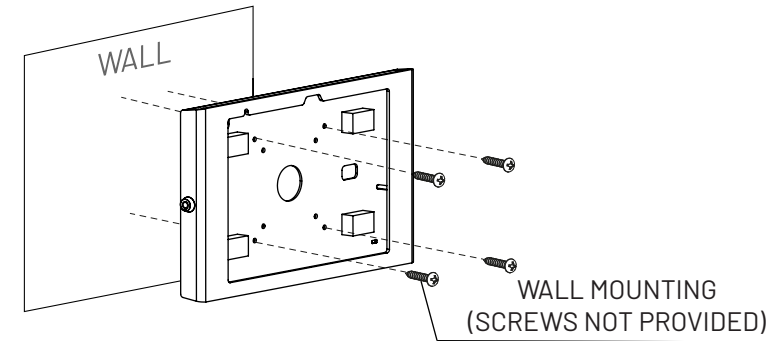


Philips Pan Head M4, 30mm

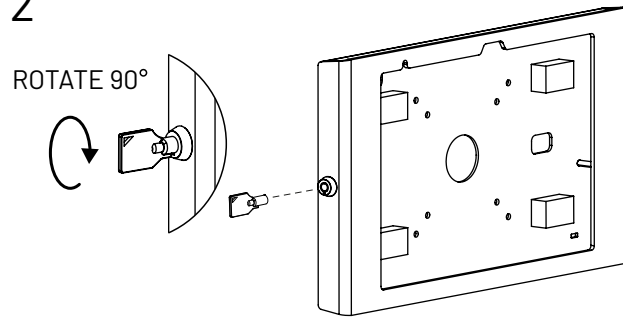
1



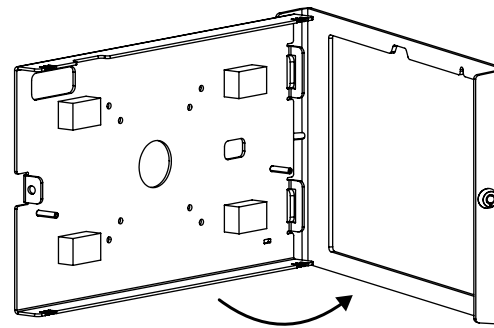
Or



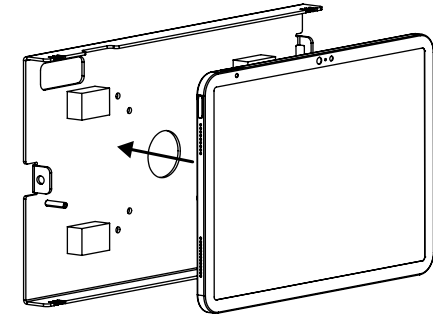
2



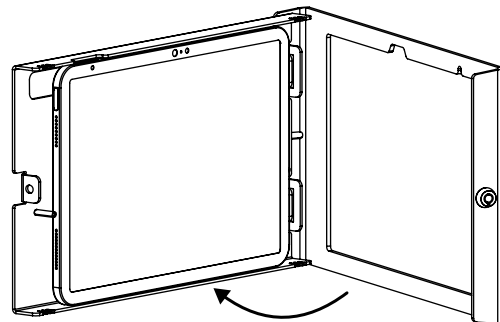
3



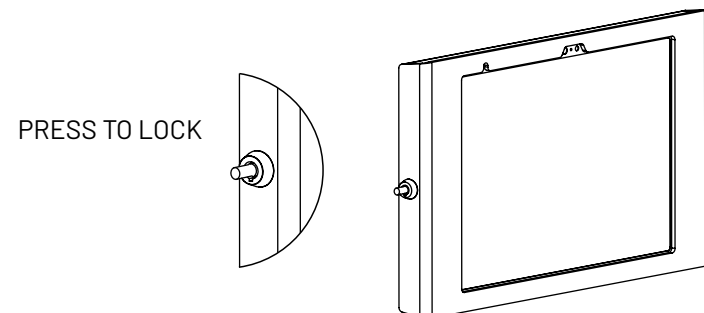
4



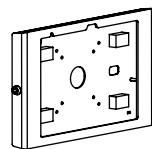
5



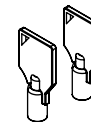
6



IN THE BOX



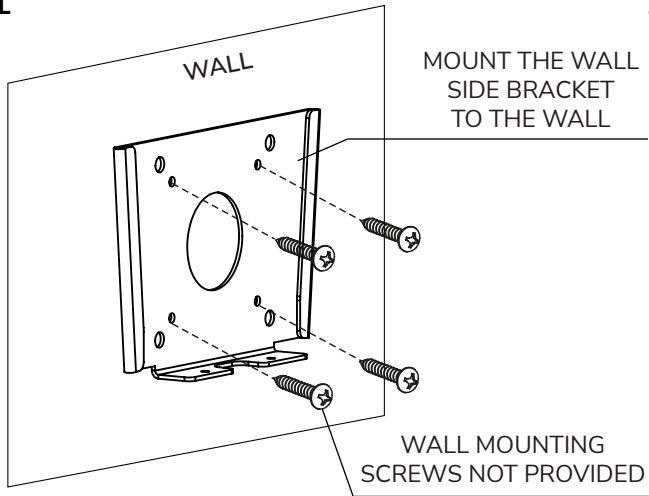
Apex Enclosure



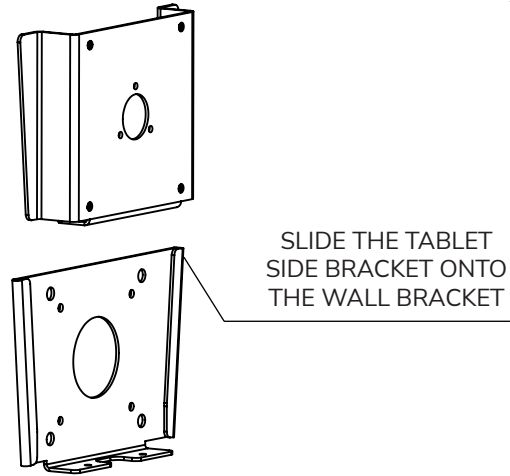
Keys

## Assembly Instructions

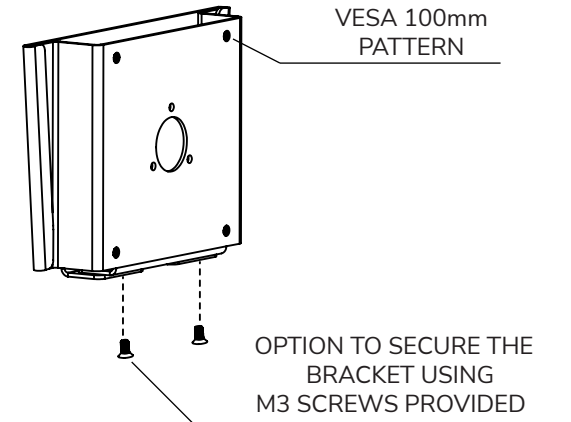
1



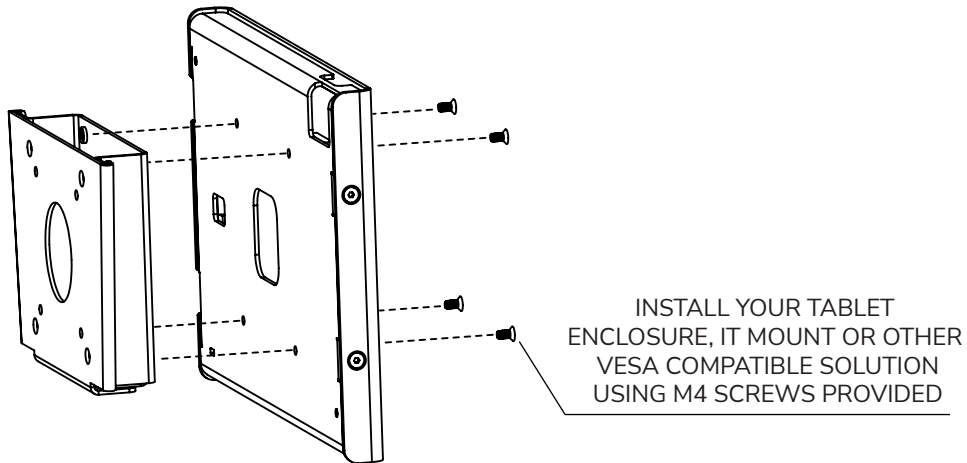
2



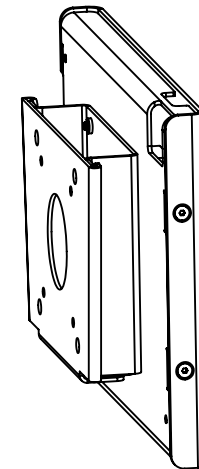
3



4



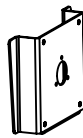
5



### IN THE BOX



Wall Side Bracket



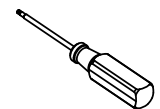
Tablet Side Bracket



M4x8MM Phillips Screws



M3x10MM Flat Head Screws



T10 Torx Screwdriver