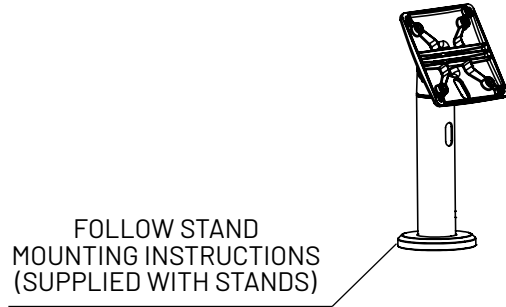
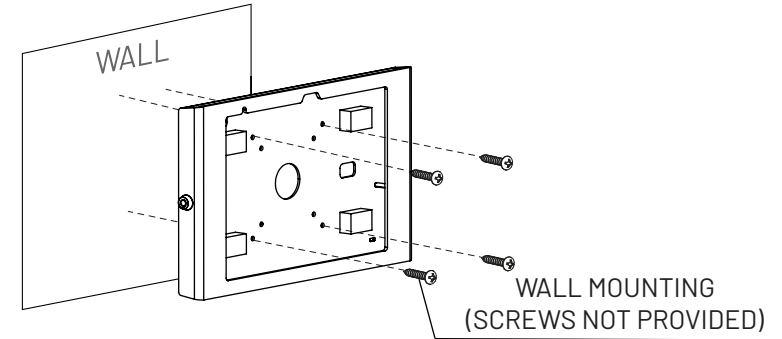


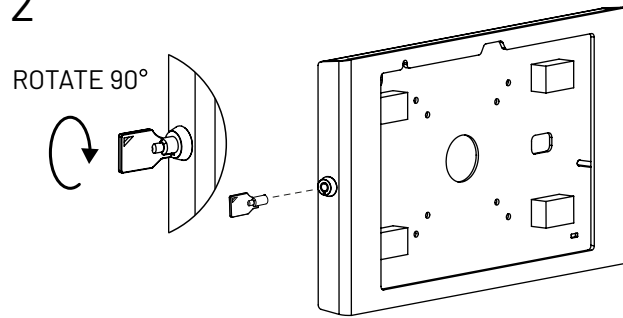
1



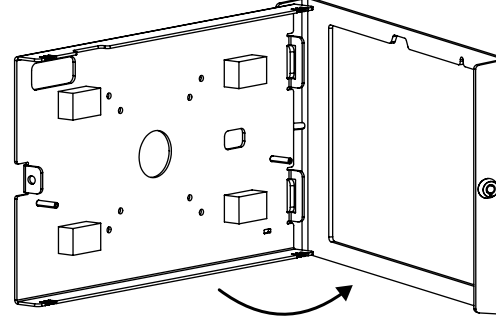
Or



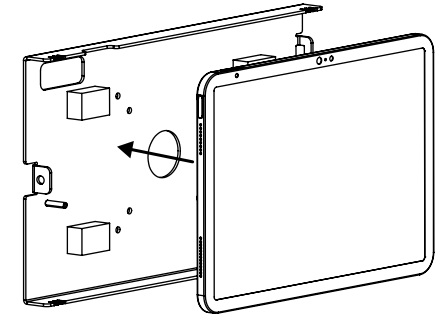
2



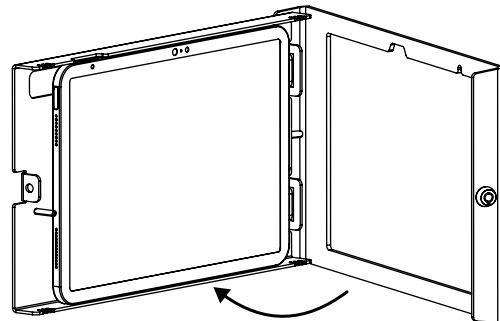
3



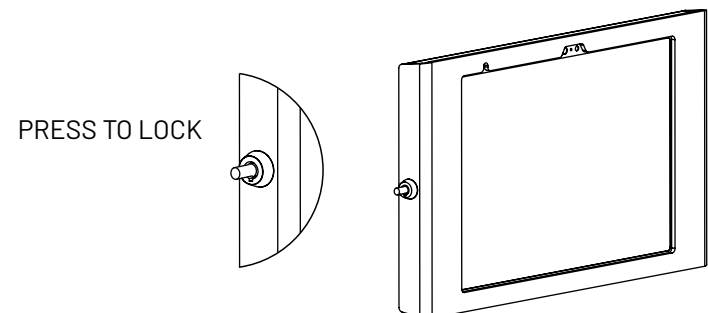
4



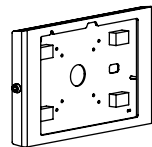
5



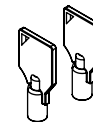
6



IN THE BOX



Apex Enclosure

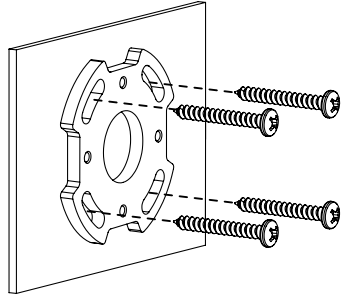


Keys

Through Stand Cable Assembly

1

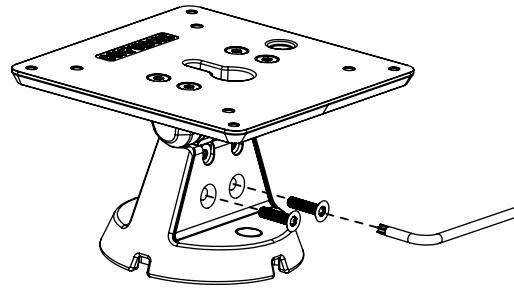
SCREW THE BOTTOM PLATE TO THE WALL / COUNTER WITH PHILLIPS ROUND HEAD SCREWS - TYPE 10 X 1½" (PROVIDED).



NOTE: IN A WOOD STUD INSTALLATION ENSURE AT LEAST TWO VERTICALLY ALIGNED SCREWS ARE SECURED INTO THE STUD.

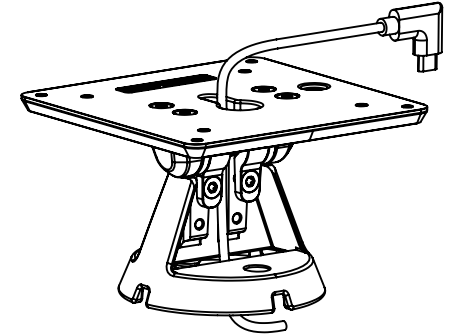
2

REMOVE FRONT COVER. USE T-20 TORX WRENCH (PROVIDED) TO REMOVE M4 X 10mm TORX FLAT HEAD SCREWS



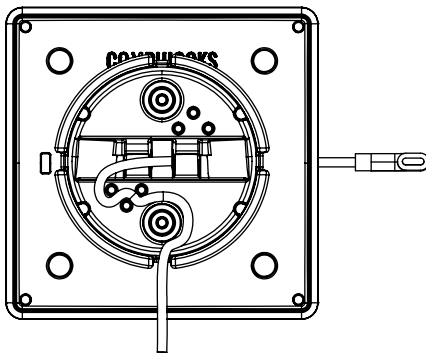
3

ROUTE CHARGING CABLE THROUGH MOUNT AS SHOWN



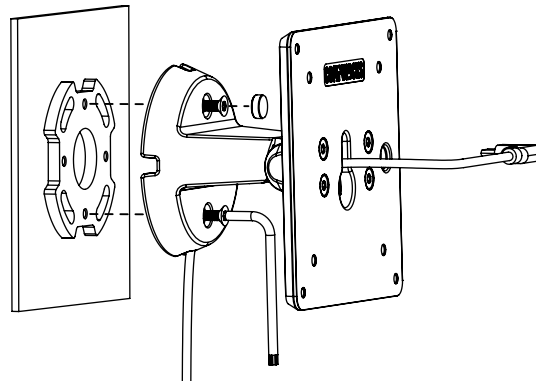
4

ROUTE CHARGING CABLE THROUGH MOUNT AS SHOWN



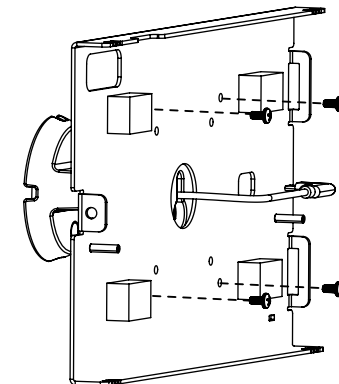
5

PLACE BOW MOUNT OVER BOTTOM PLATE AND INSTALL USING 2 M4 X 10mm TORX FLAT HEAD SCREWS AND WRENCH (PROVIDED). INSTALL RUBBER PLUGS.

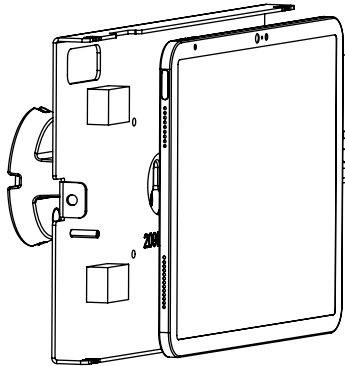


6

ROUTE CHARGING CABLE THROUGH ENCLOSURE OR VESA MOUNT. INSTALL TO MOUNT USING M4 X 8mm PHILLIPS PAN HEAD SCREWS (PROVIDED)

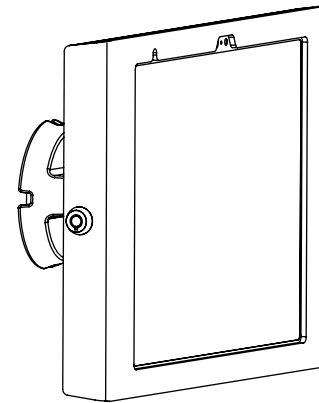


7



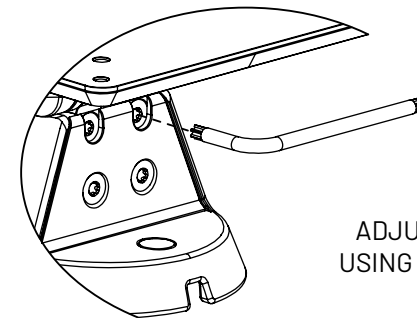
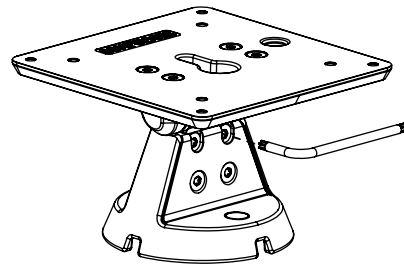
ATTACH CHARGING CABLE TO TABLET, LEAVE A SMALL LOOP OF CABLE BENEATH THE TABLET

8



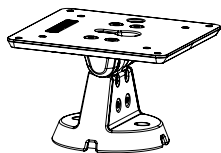
INSTALL THE REST OF THE ENCLOSURE OR VESA MOUNT PER THEIR INSTRUCTIONS

Tilt Tension Adjustments



ADJUST HINGE TENSION USING WRENCH (PROVIDED)

IN THE BOX



Bow Mount



Bottom Plate



Rubber Plugs



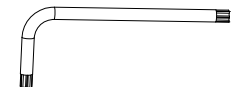
10 X 1 1/2" Phillips Round Head Screw



M4 X 10mm Torx Flat Head Screw



M4 X 8mm Phillips Pan Head Screw



T20 TORX L-Wrench