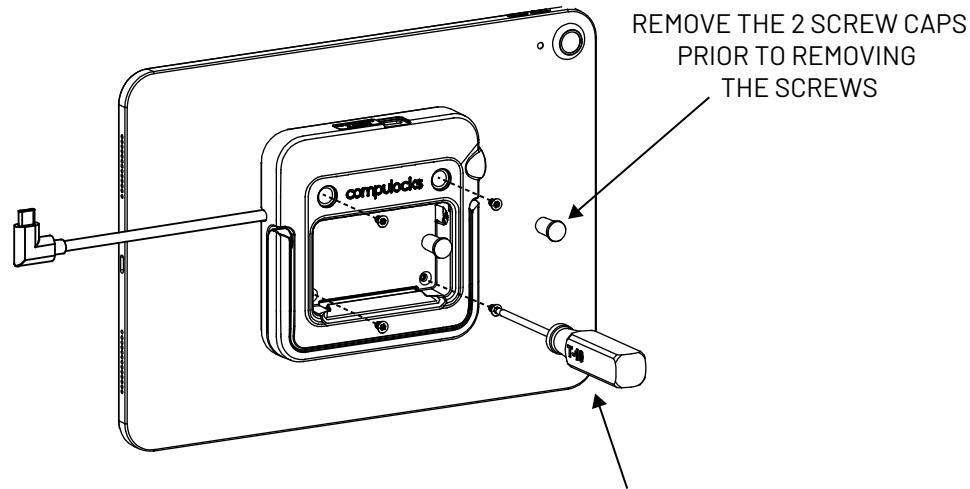
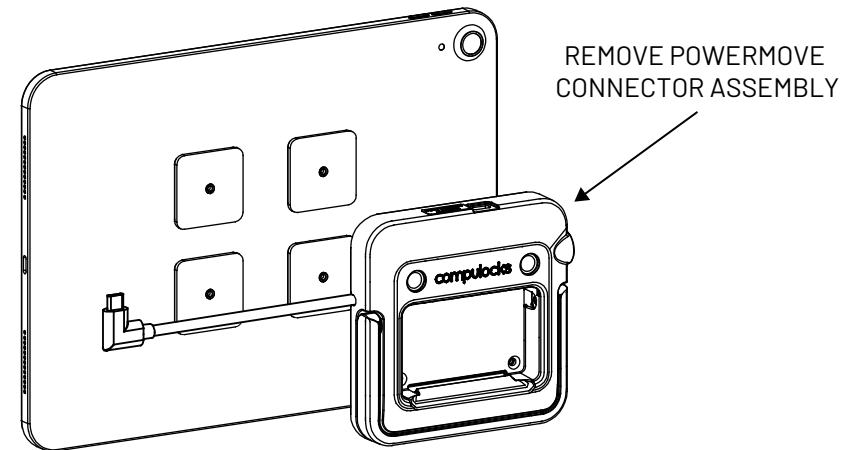


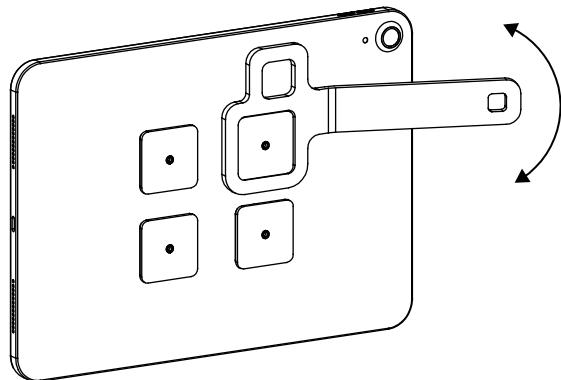
1



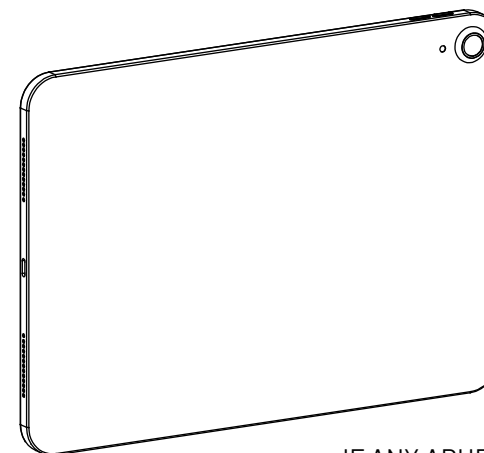
2



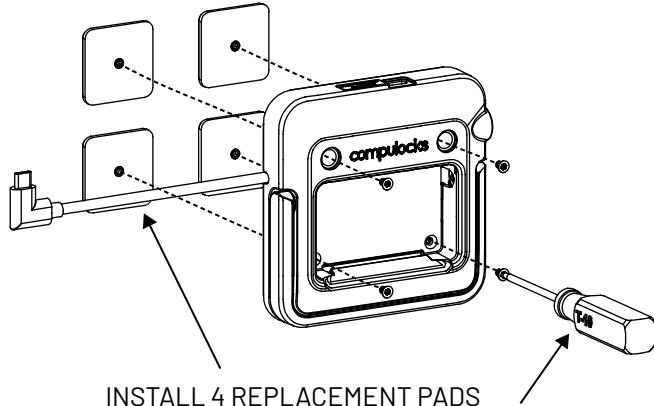
3



4

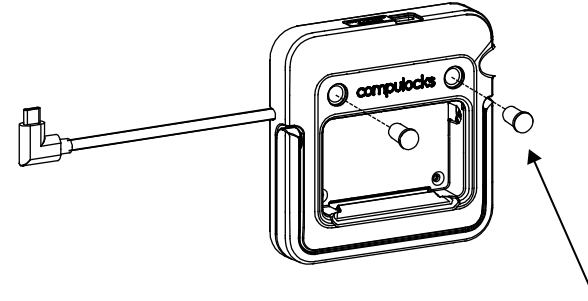


5



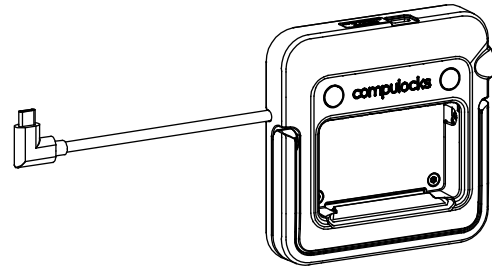
INSTALL 4 REPLACEMENT PADS
 USING 4 M3 x 5mm TORX FLAT HEAD SCREWS
 USING T-10 SCREWDRIVER (SENT WITH ORIGINAL POWERMOVE)

6



INSTALL THE 2 SCREW CAPS

7

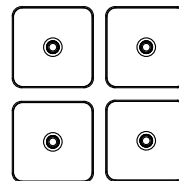


POWERMVUE CONNECTOR ASSEMBLY
 IS READY FOR INSTALLATION. FOLLOW POWERMVUE
 CONNECTOR ASSEMBLY INSTRUCTIONS

IN THE BOX



M3 X 5mm Torx Flat Head Screws



Pads



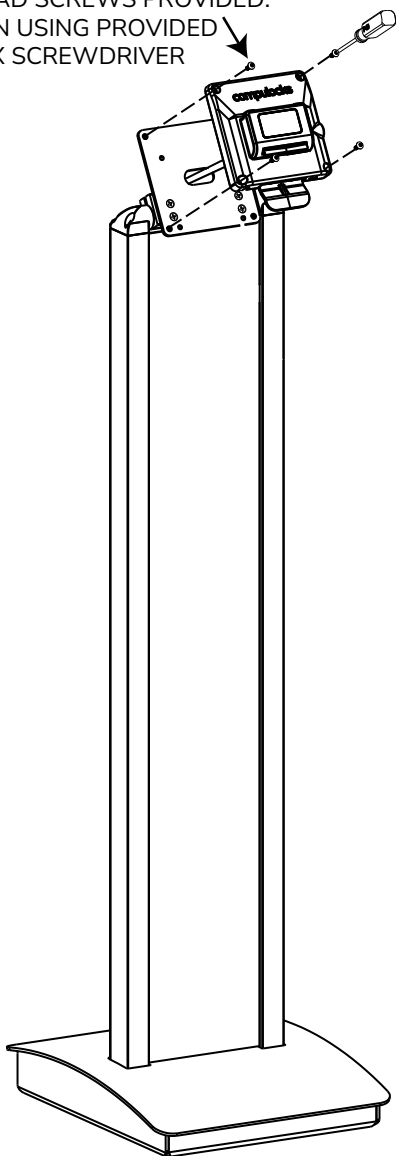
Alcohol Wipes

Assembly Instructions

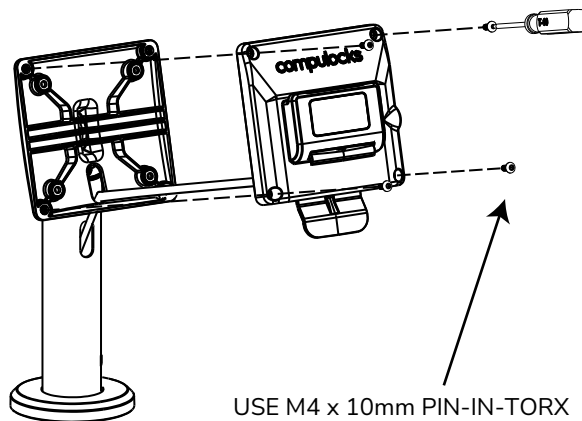
Mounting Options

1 Floor Stand Mounting

USE M4 x 10mm PIN-IN-TORX
BUTTON HEAD SCREWS PROVIDED.
TIGHTEN USING PROVIDED
TORX SCREWDRIVER

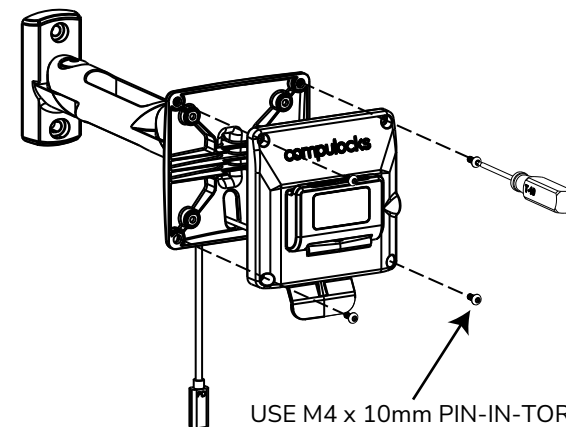


2 Counter Stand Mounting



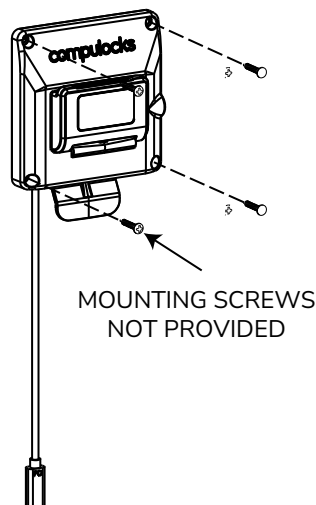
USE M4 x 10mm PIN-IN-TORX
BUTTON HEAD SCREWS PROVIDED.
TIGHTEN USING PROVIDED
TORX SCREWDRIVER

3 Wall Arm Mounting



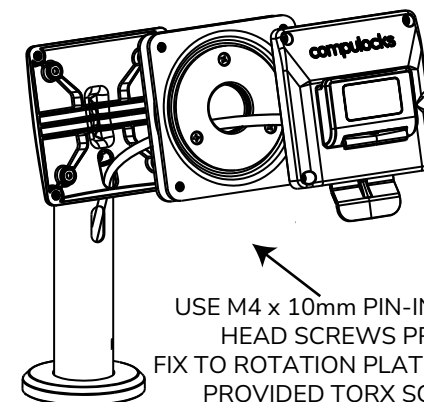
USE M4 x 10mm PIN-IN-TORX
BUTTON HEAD SCREWS PROVIDED.
TIGHTEN USING PROVIDED
TORX SCREWDRIVER

4 Direct Mounting To Wall



MOUNTING SCREWS
NOT PROVIDED

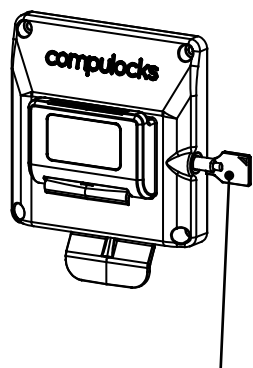
Optional Add-On:
Portrait To Landscape Rotation Plate



USE M4 x 10mm PIN-IN-TORX BUTTON
HEAD SCREWS PROVIDED TO
FIX TO ROTATION PLATE. TIGHTEN USING
PROVIDED TORX SCREWDRIVER.
USE SCREWS PROVIDED WITH ROTATION PLATE
TO SECURE TO STAND or ARM

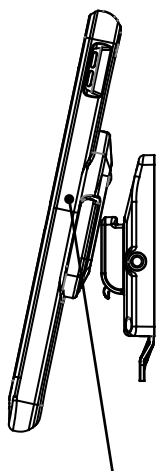
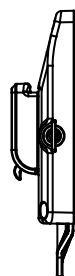
Placing Tablet with Connector to Dock Station

1



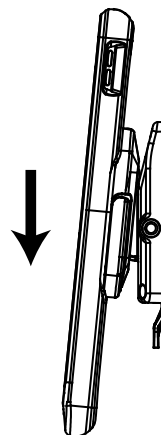
USE KEY TO UNLOCK THE LOCK.
REMOVE KEY

2



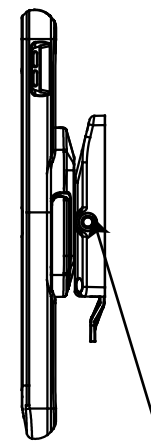
ALIGN CONNECTOR TO DOCK STATION

3



APPLY LIGHT PRESSURE.
LATCH WILL ENGAGE

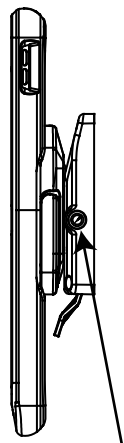
4



PUSH LOCK BUTTON TO SECURE
TABLET TO DOCK STATION

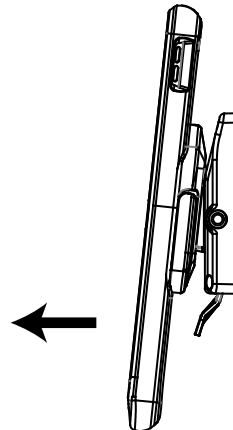
Removing Tablet with Connector from Dock Station

1



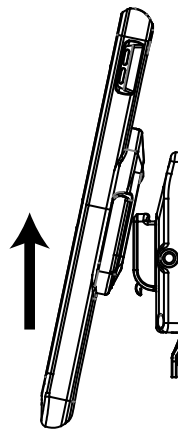
PRIOR TO PULLING LATCH,
UNLOCK LOCK USING KEY

2



PULL LATCH FORWARD

3



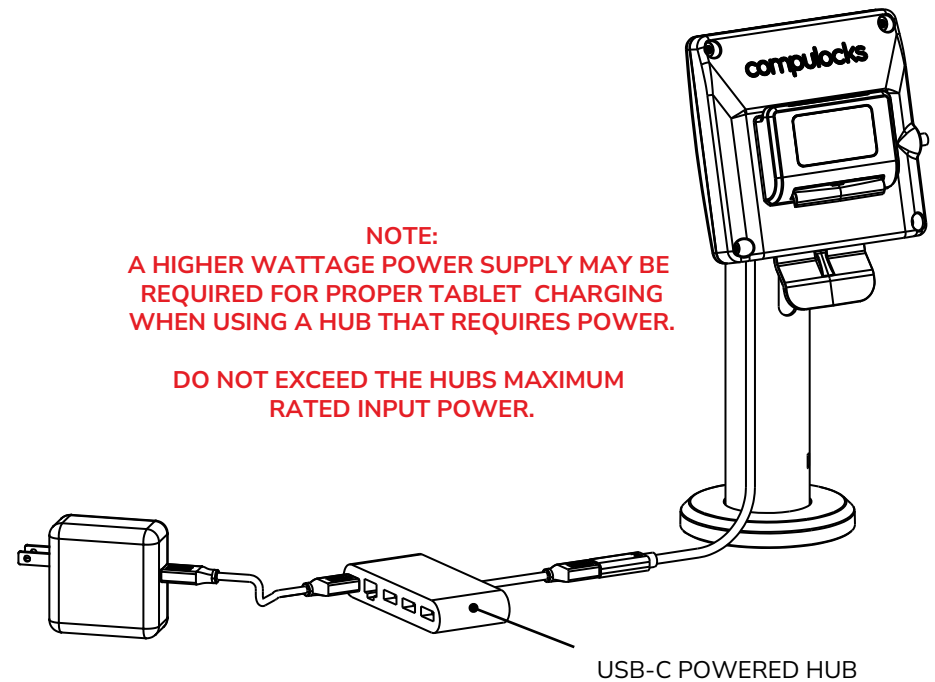
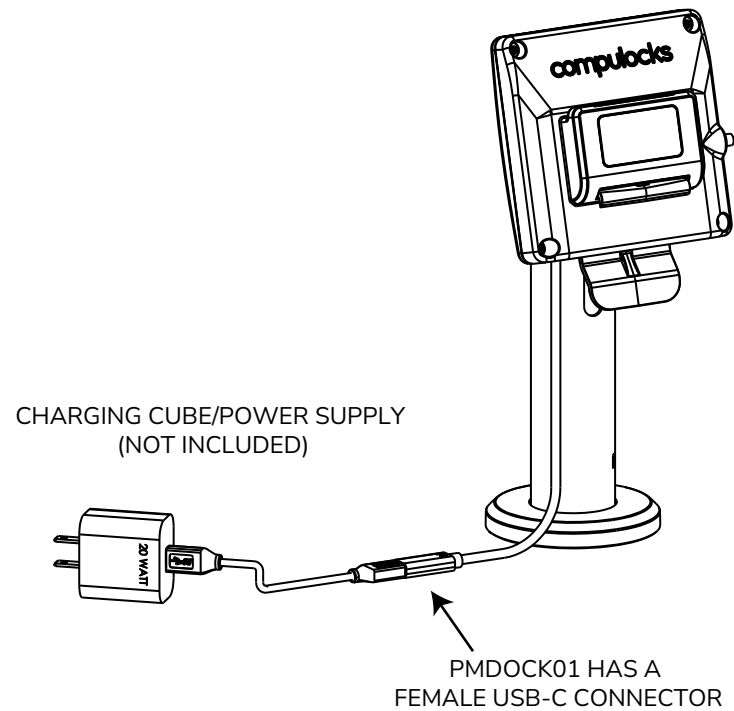
GENTLY PULL UP TO RELEASE

4



Tablet Charge PD Compatible

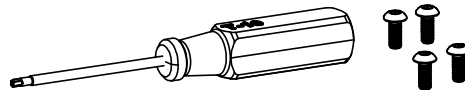
Tablet Data and Charge PD Compatible



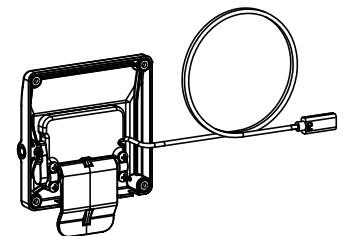
IN THE BOX



Keys

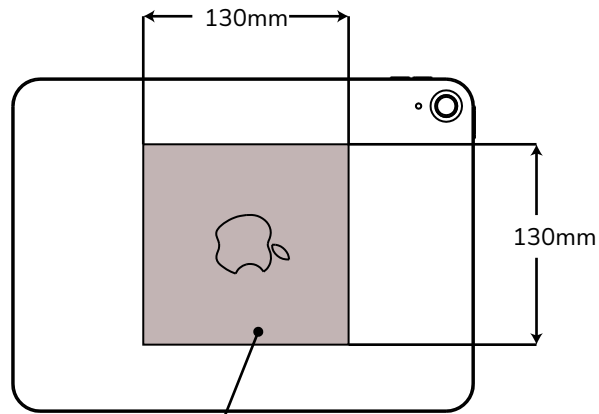


Hardware Kit



PowerMove Dock Station

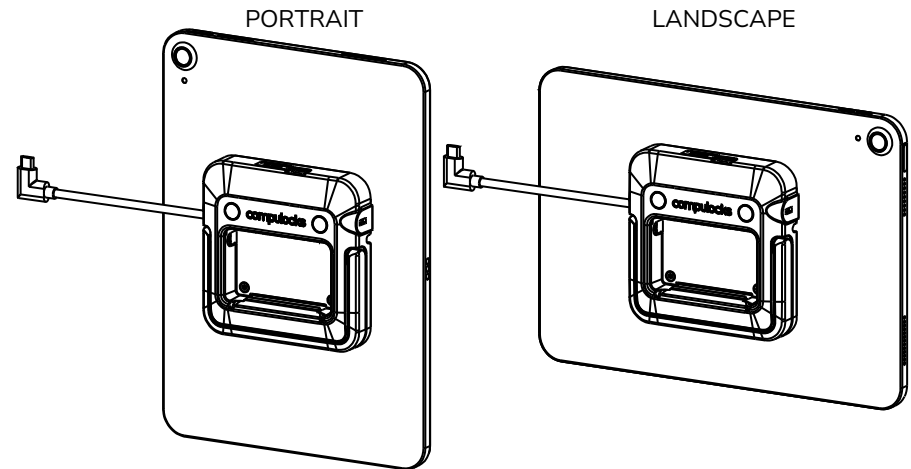
1



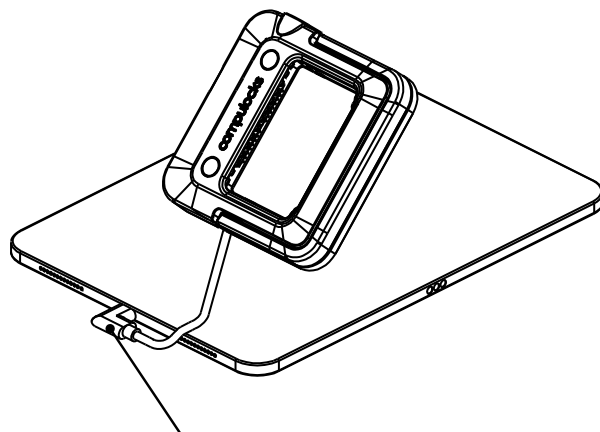
USING ALCOHOL PAD PROVIDED,
CLEAN 130mm SQUARE AREA CENTERED ON THE BACK OF THE TABLET.
ALLOW TO AIR DRY

2

SELECT THE ORIENTATION
OF THE CONNECTOR ON THE TABLET



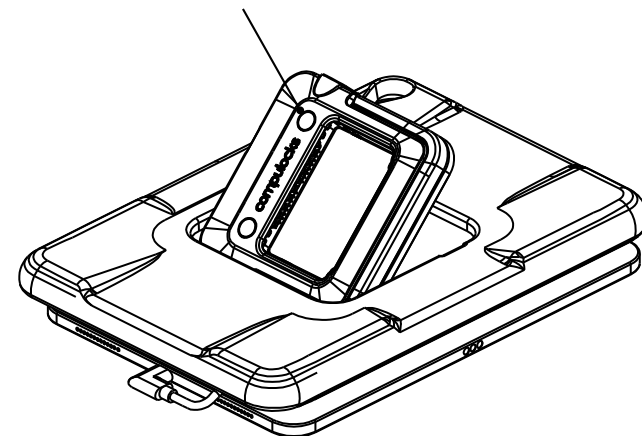
3



INSTALL RIGHT ANGLE USB-C CABLE
AS SHOWN

4

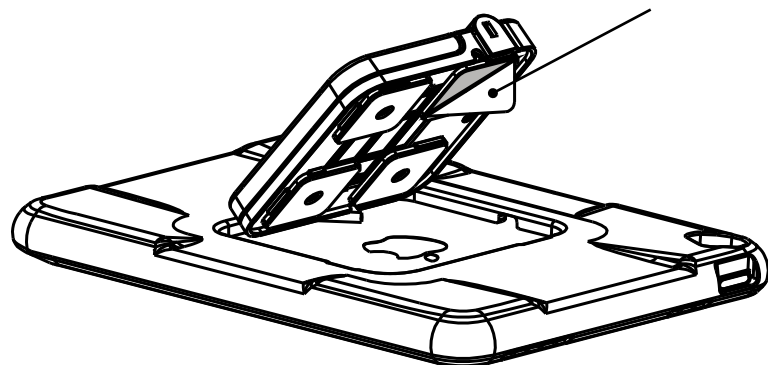
PASS CONNECTOR THROUGH CASE*
AND INSTALL CASE ON TABLET



*CASE SOLD SEPARATELY

5

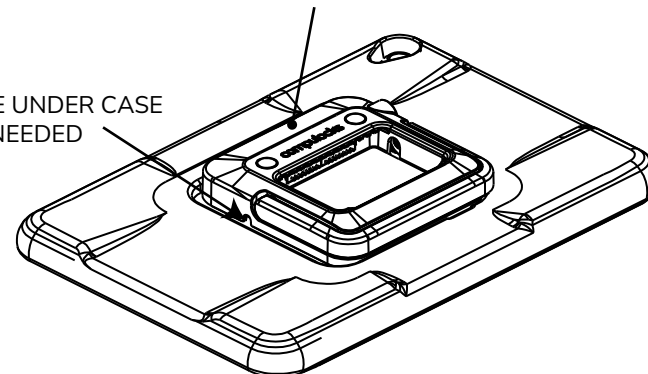
REMOVE COVERS TO EXPOSE
ADHESIVE ON ALL 4 PADS



6

CENTER CONNECTOR ON OPENING
IN CASE AND ADHERE TO TABLET WITH MILD PRESSURE

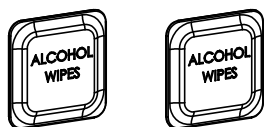
FEED CABLE UNDER CASE
AS NEEDED



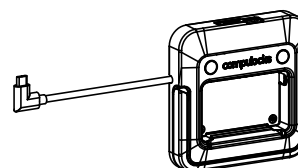
NOTE:
TABLET AND CONNECTOR SHOULD BE AT
ROOM TEMPERATURE FOR BEST RESULTS

FOR BEST PERFORMANCE ALLOW
CONNECTOR TO BOND TO TABLET FOR 12 HOURS.

IN THE BOX



Alcohol Wipes

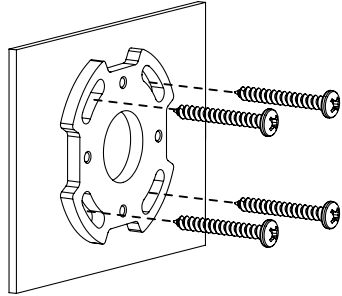


PowerMove Connector

Through Stand Cable Assembly

1

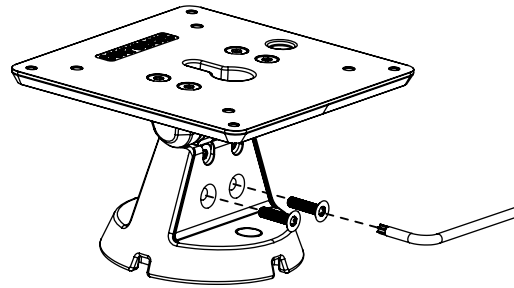
SCREW THE BOTTOM PLATE TO THE WALL / COUNTER WITH PHILLIPS ROUND HEAD SCREWS - TYPE 10 X 1½" (PROVIDED).



NOTE: IN A WOOD STUD INSTALLATION ENSURE AT LEAST TWO VERTICALLY ALIGNED SCREWS ARE SECURED INTO THE STUD.

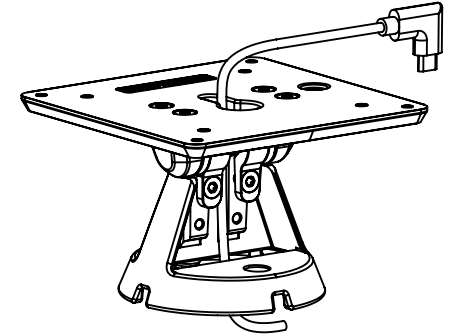
2

REMOVE FRONT COVER. USE T-20 TORX WRENCH (PROVIDED) TO REMOVE M4 X 10mm TORX FLAT HEAD SCREWS



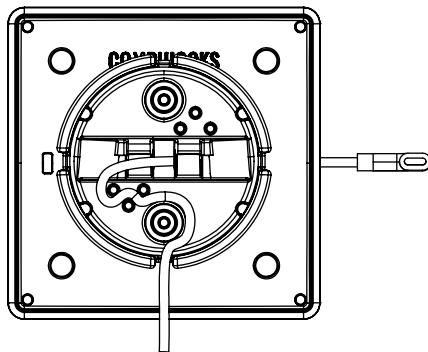
3

ROUTE CHARGING CABLE THROUGH MOUNT AS SHOWN



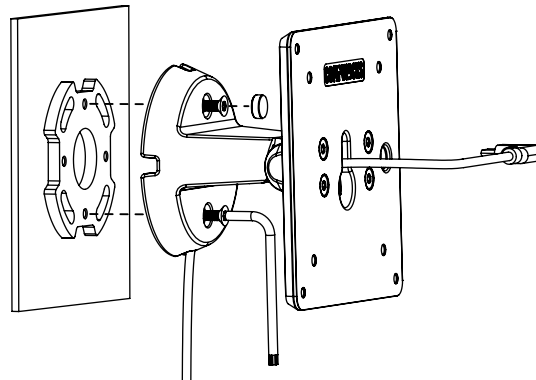
4

ROUTE CHARGING CABLE THROUGH MOUNT AS SHOWN



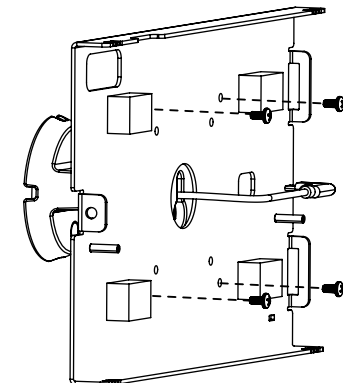
5

PLACE BOW MOUNT OVER BOTTOM PLATE AND INSTALL USING 2 M4 X 10mm TORX FLAT HEAD SCREWS AND WRENCH (PROVIDED). INSTALL RUBBER PLUGS.

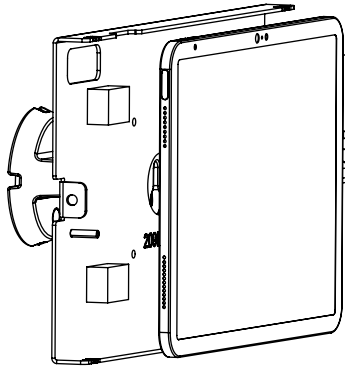


6

ROUTE CHARGING CABLE THROUGH ENCLOSURE OR VESA MOUNT. INSTALL TO MOUNT USING M4 X 8mm PHILLIPS PAN HEAD SCREWS (PROVIDED)

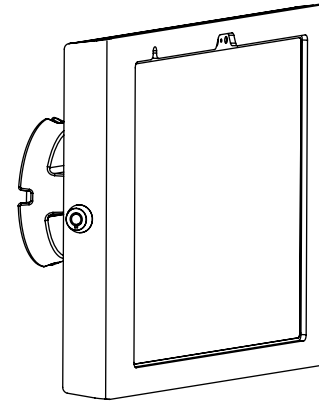


7



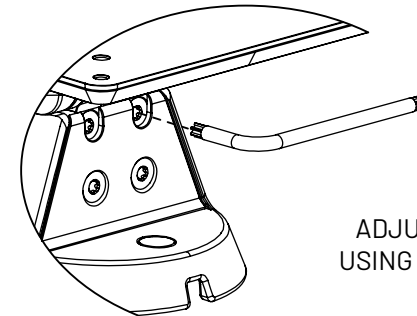
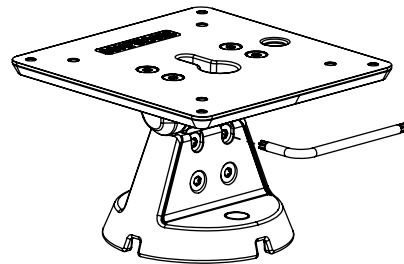
ATTACH CHARGING CABLE TO TABLET, LEAVE A SMALL LOOP OF CABLE BENEATH THE TABLET

8



INSTALL THE REST OF THE ENCLOSURE OR VESA MOUNT PER THEIR INSTRUCTIONS

Tilt Tension Adjustments



ADJUST HINGE TENSION USING WRENCH (PROVIDED)

IN THE BOX



Bow Mount



Bottom Plate



Rubber Plugs



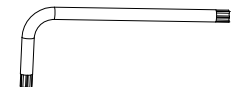
10 X 1 1/2" Phillips Round Head Screw



M4 X 10mm Torx Flat Head Screw



M4 X 8mm Phillips Pan Head Screw



T20 TORX L-Wrench