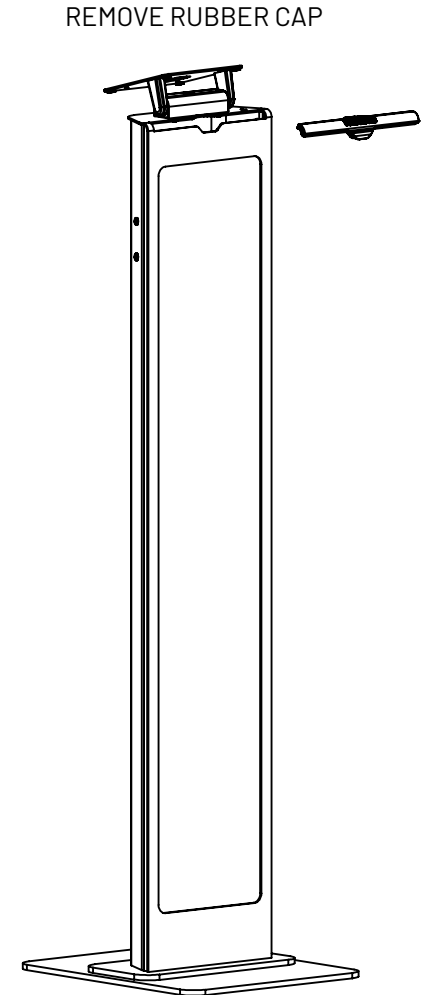
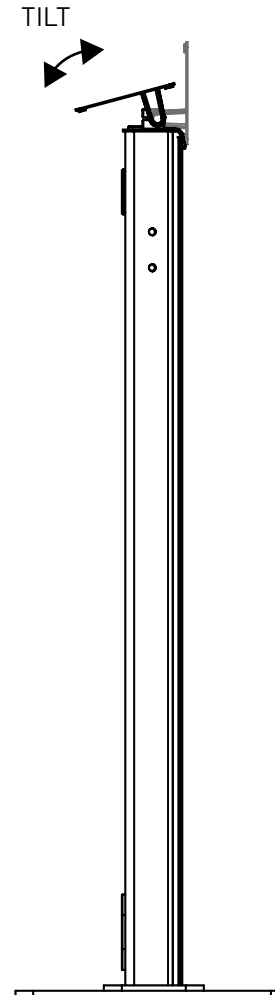
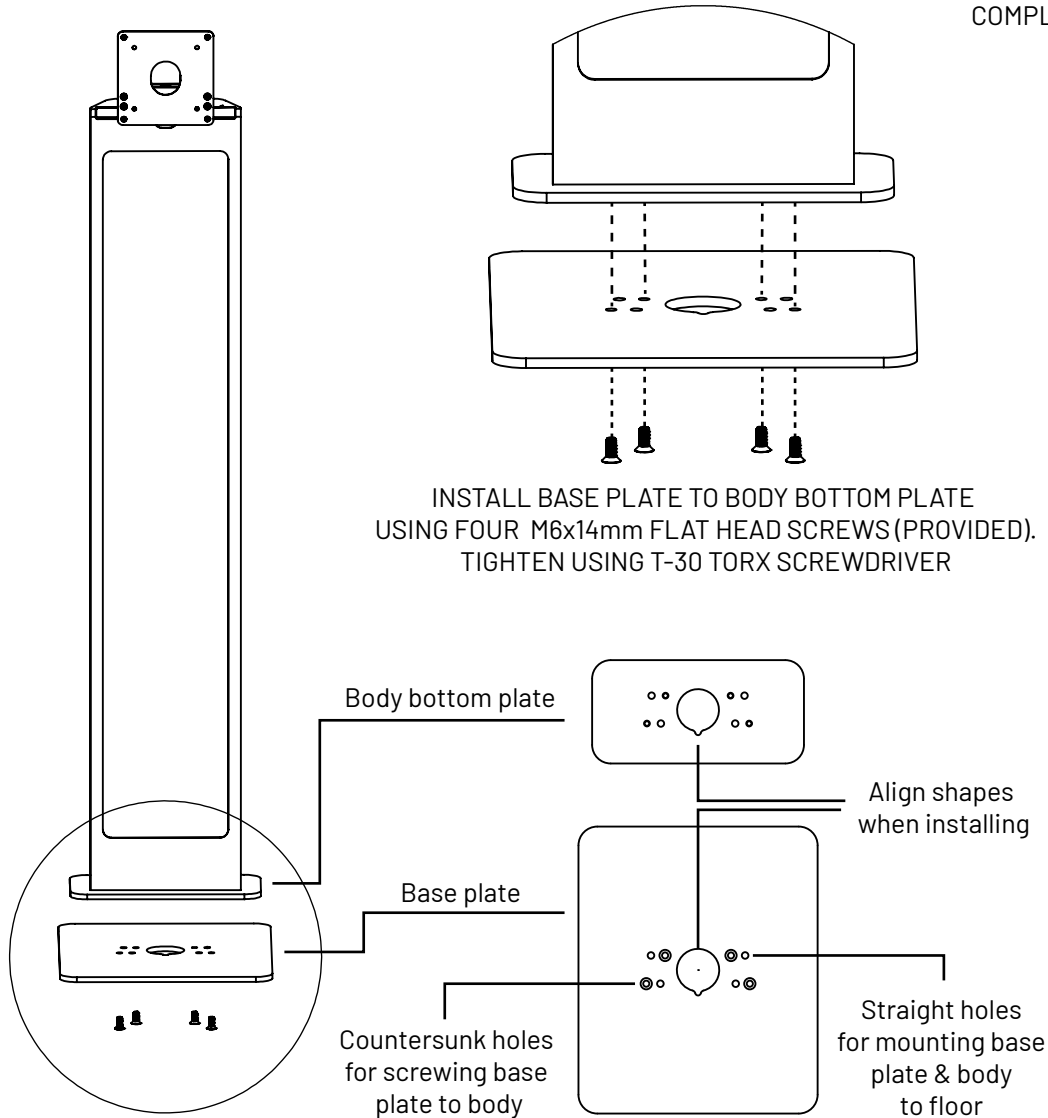


## 1 Floor Mounting Option - Freestanding

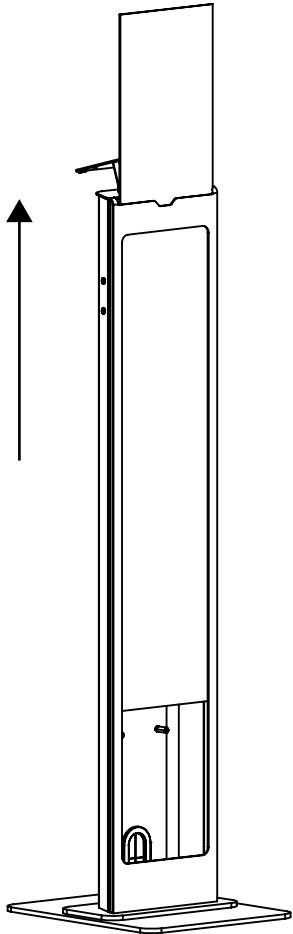
## 1A Floor Mounting Option - Bolt To Floor

COMPLETE STEP 1

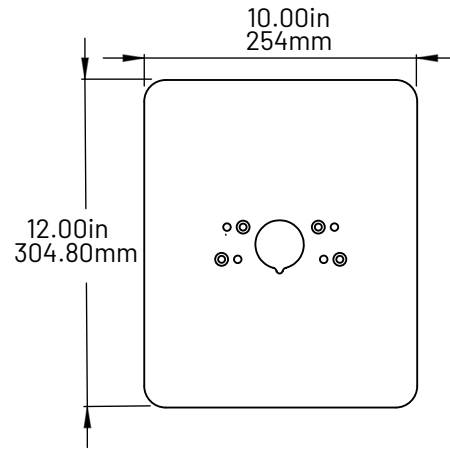


1A - Continued

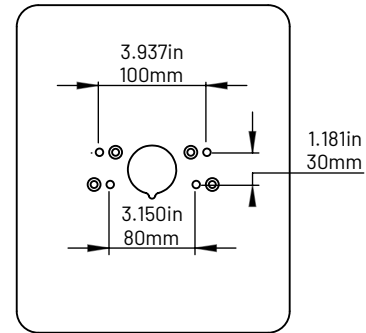
TAKE OUT COVER PANEL



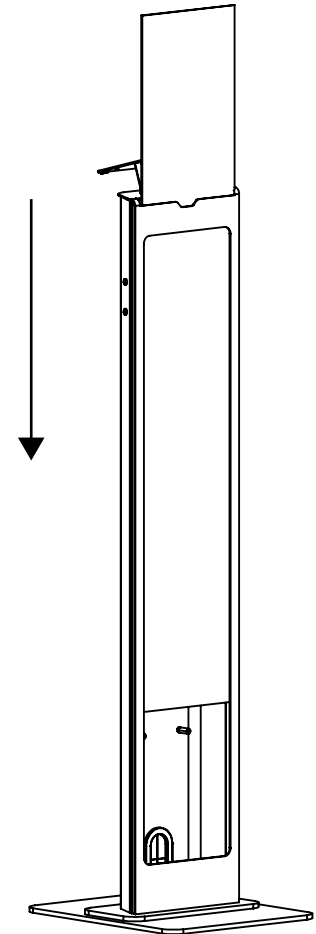
BOTTOM PLATE SIZE



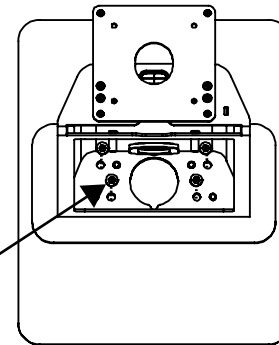
FLOOR MOUNTING PATTERN



PUT THE COVER PANEL BACK

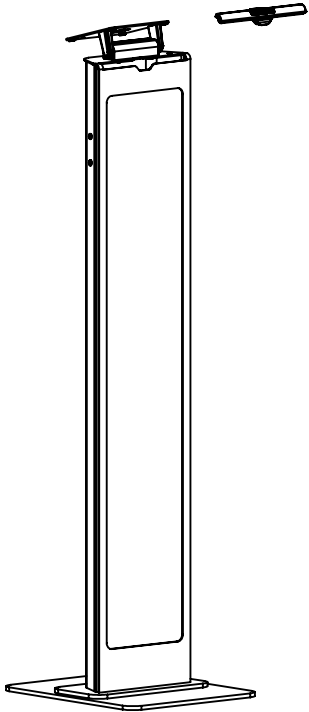


LOCATE SCREW HOLES IN BODY  
BOTTOM PLATE  
BOLT TO FLOOR USING  
APPROPRIATE BOLTS  
FOR FLOOR TYPE (NOT PROVIDED)

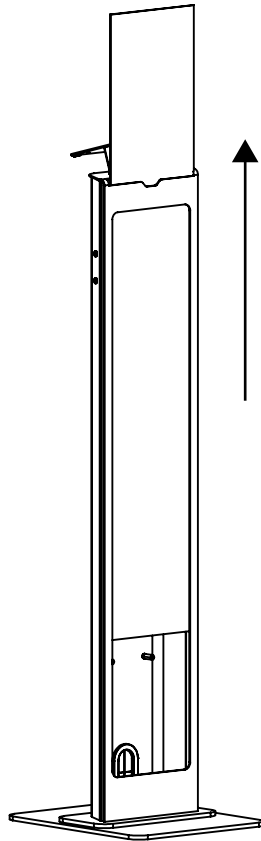


## 2 Cable Management Options

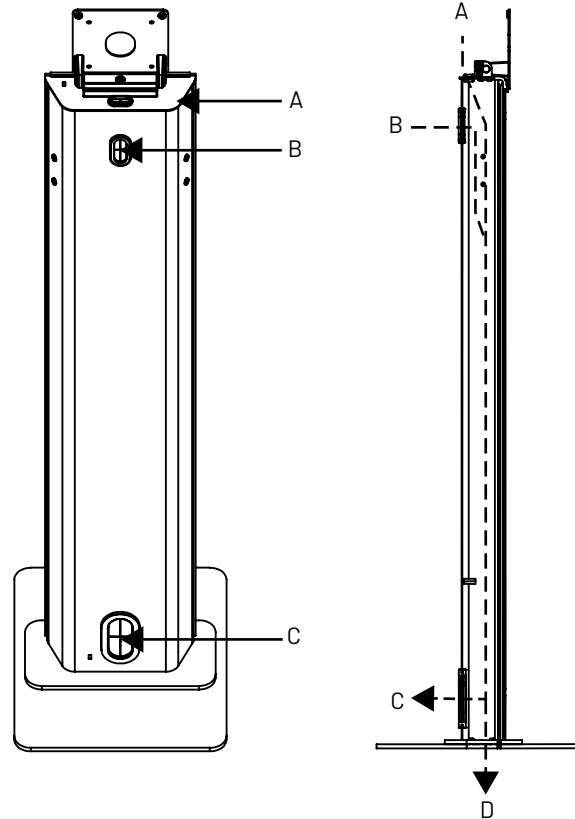
REMOVE RUBBER CAP



TAKE OUT COVER PANEL

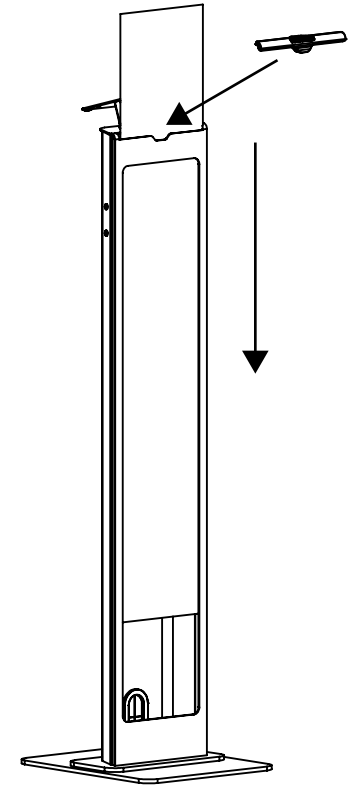


A - INLET IN TOP PLATE  
B - INLET IN BACK PLATE  
C - EXIT IN BACK PLATE  
D - EXIT IN BASE PLATE



1. PUT THE COVER PANEL BACK  
2. PUT BACK THE RUBBER CAP\*

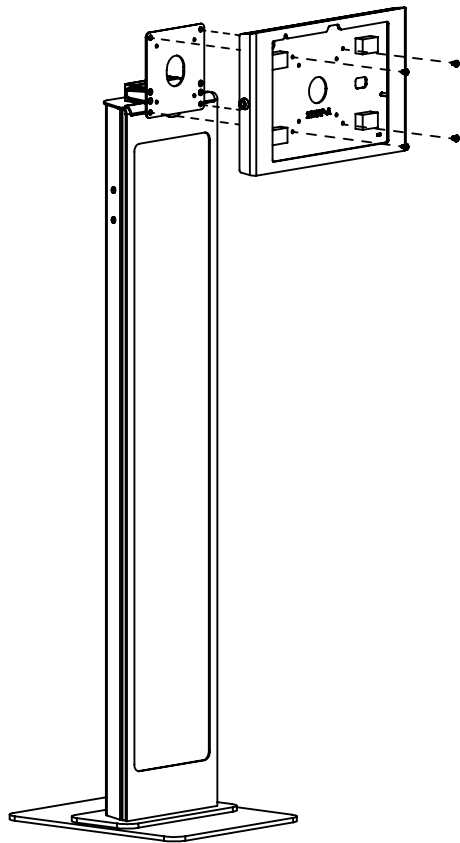
\*for easier insertion the rubber cap, use a flat head screwdriver or similiar object to adjust the cap.



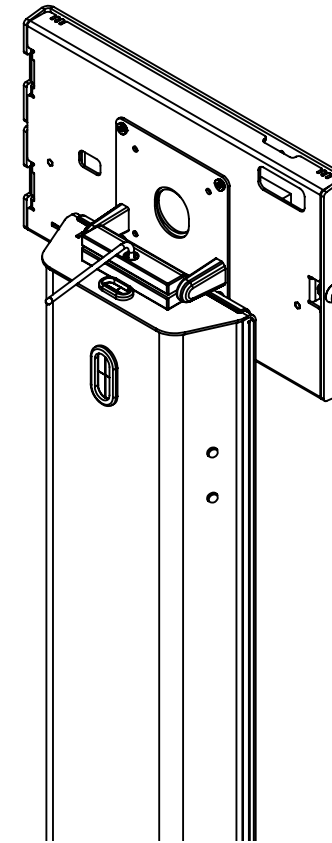
### 3A Install Device

### 3B

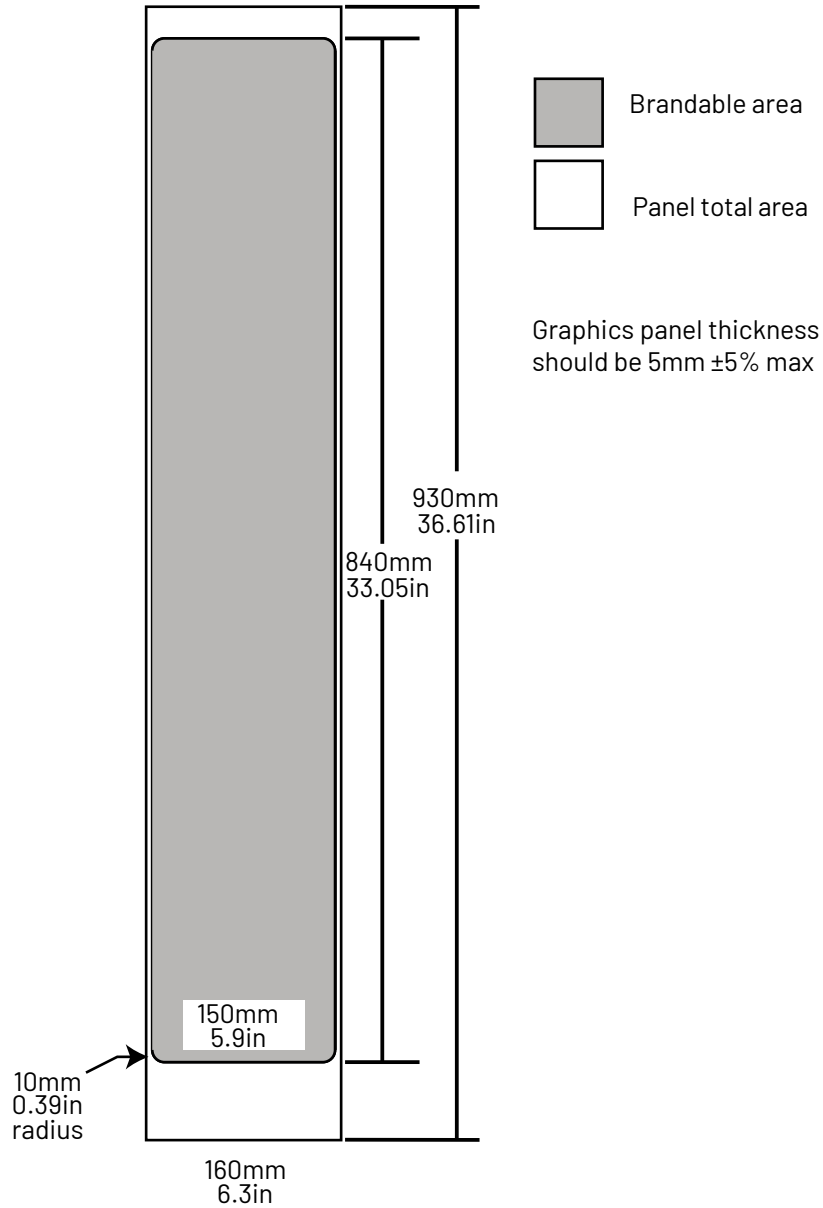
INSTALL YOUR TABLET ENCLOSURE  
(OR VESA COMPATIBLE MOUNTING SOLUTION)  
USING FOUR M4x8mm PHILLIPS PAN HEAD SCREWS (PROVIDED)



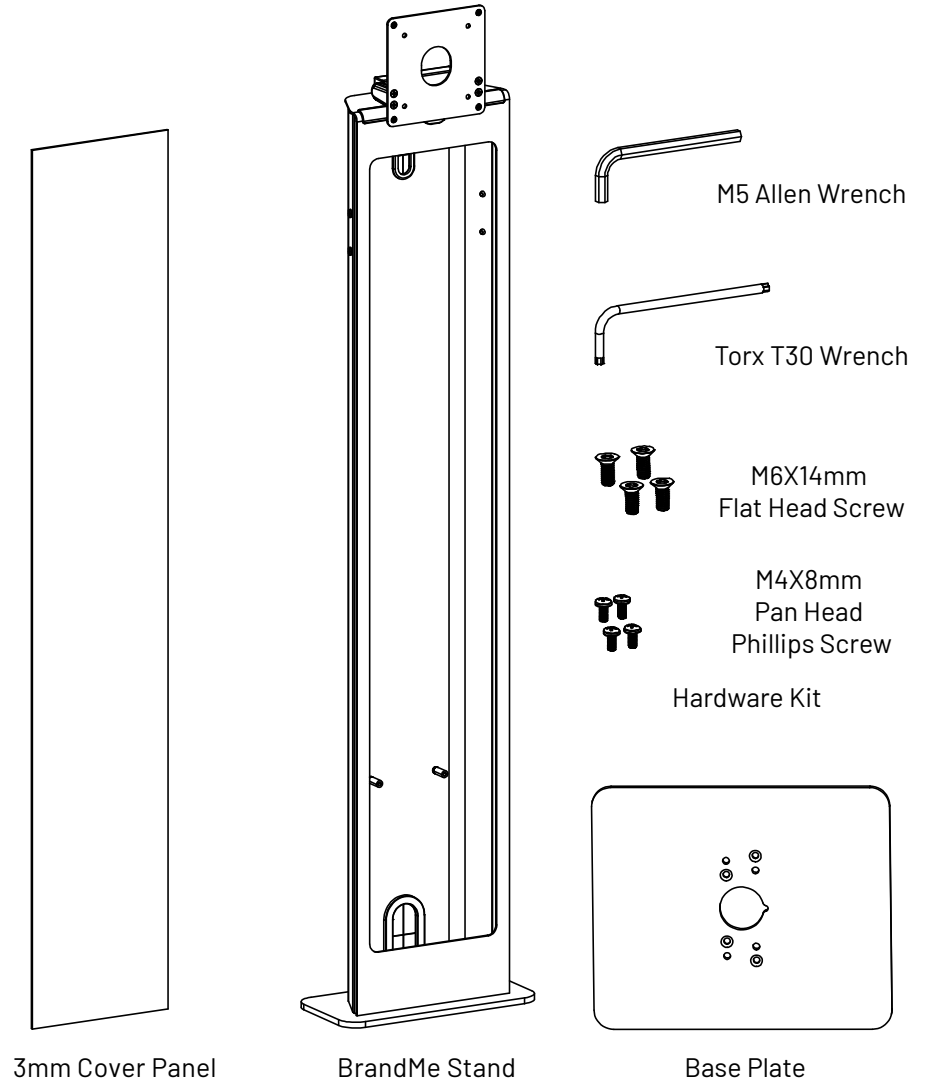
ADJUST TILT RESISTANCE BY  
TIGHTENING THE SCREW LOCATED  
ON THE HINGE ASSEMBLY



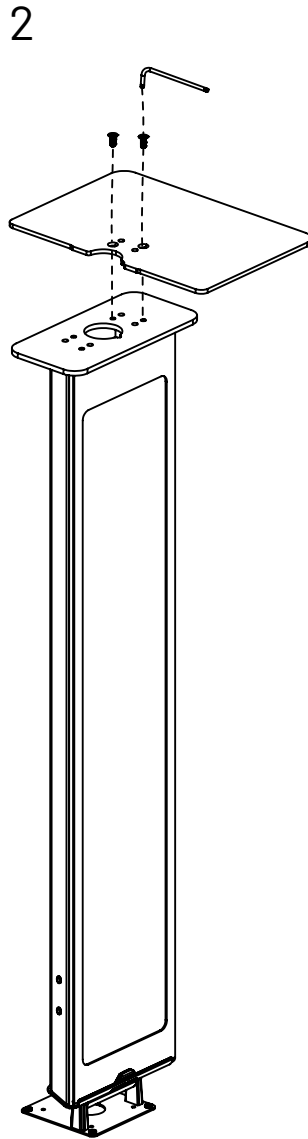
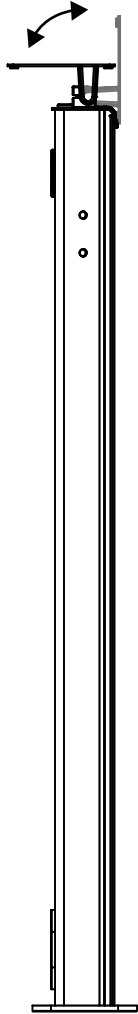
## Graphic Panel Specifications



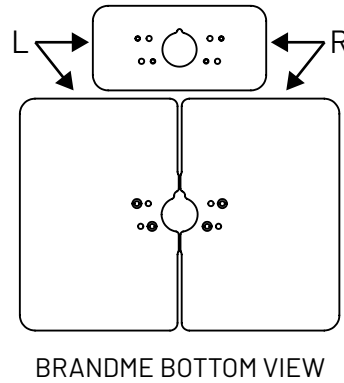
## In The Box



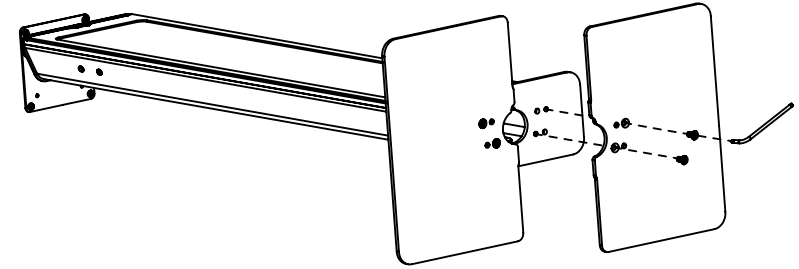
1 TIGHTEN VESA MOUNTING PLATE AT 90°



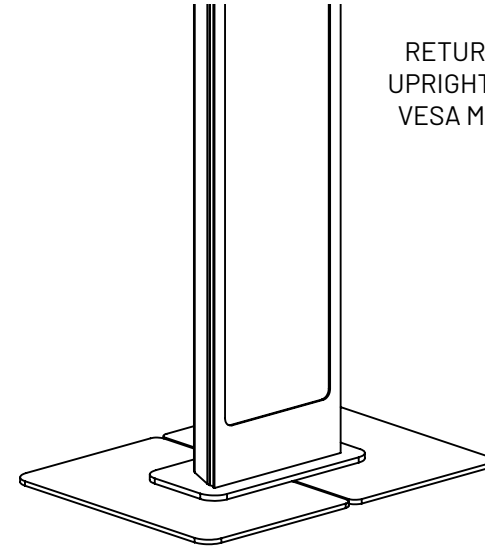
2 INVERT BRANDME TO STAND ON THE VESA MOUNTING PLATE AND INSTALL ONE BASE PLATE (L to L OR R to R) TO THE BOTTOM PLATE USING 2 x M6x14mm FLATHEAD SCREWS & TIGHTEN USING T-30 TORX SCREWDRIVER (SUPLLIED WITH BRANDME STAND)



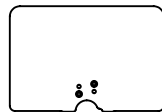
3 LAY BRANDME ON THE FLOOR/FLAT SURFACE AND INSTALL THE SECOND BASE PLATE (L to L OR R to R) USING 2 x M6x14mm FLATHEAD SCREWS & TIGHTEN USING T-30 TORX SCREWDRIVER (SUPLLIED WITH BRANDME STAND)



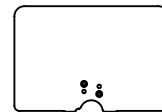
4 RETURN BRANDME TO UPRIGHT AND READJUST VESA MOUNTING PLATE



In The Box



Left Base Plate



Right Base Plate