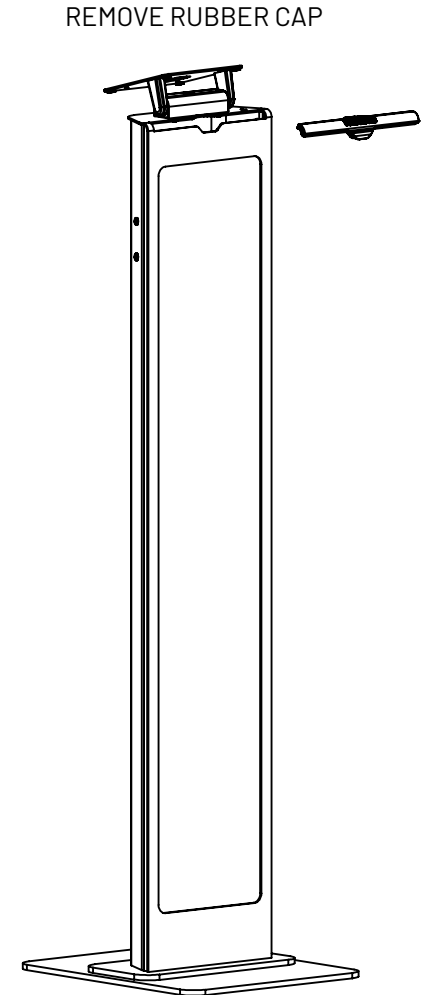
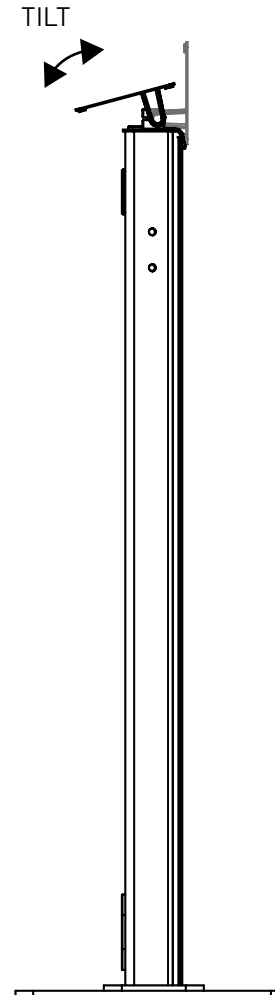
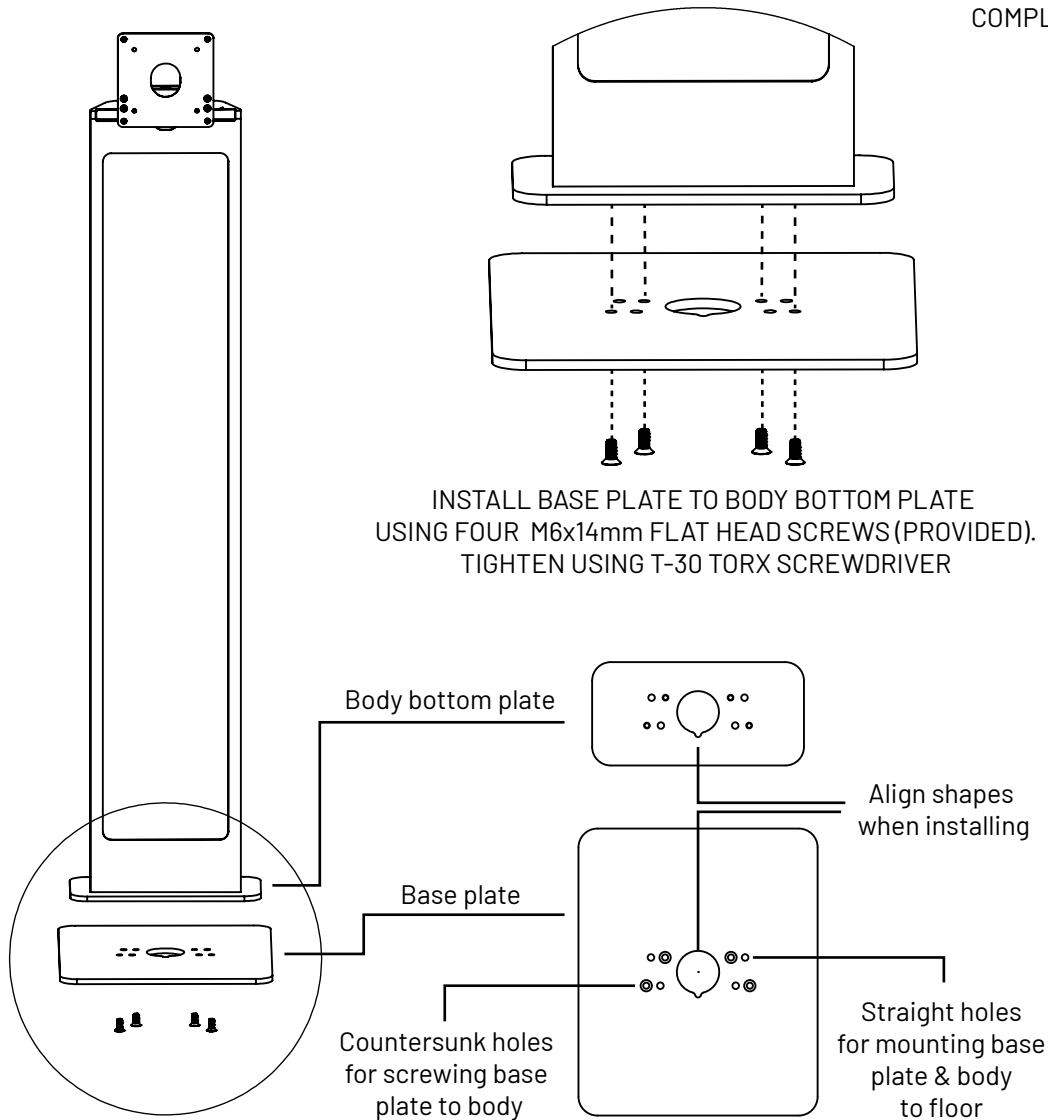


1 Floor Mounting Option - Freestanding

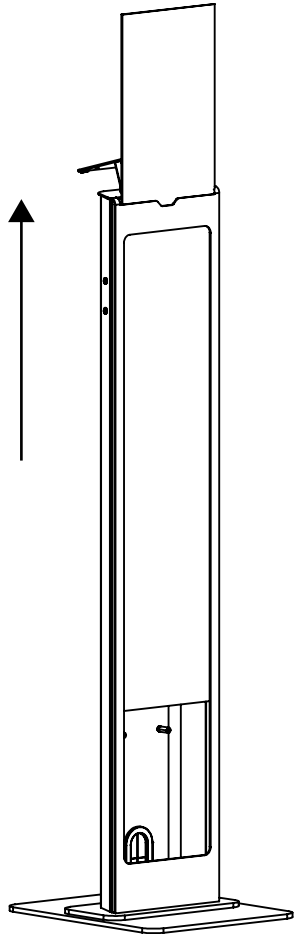
1A Floor Mounting Option - Bolt To Floor

COMPLETE STEP 1

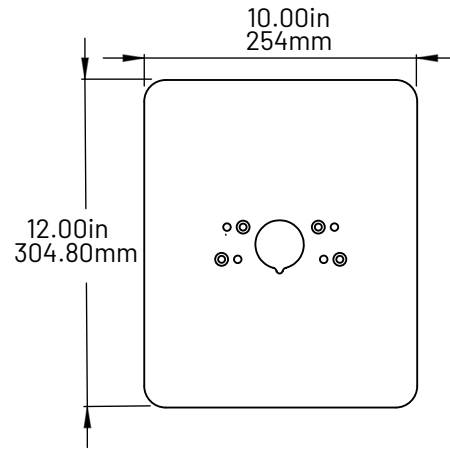


1A - Continued

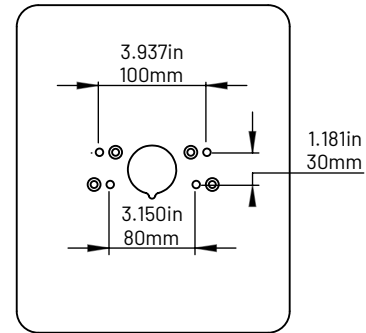
TAKE OUT COVER PANEL



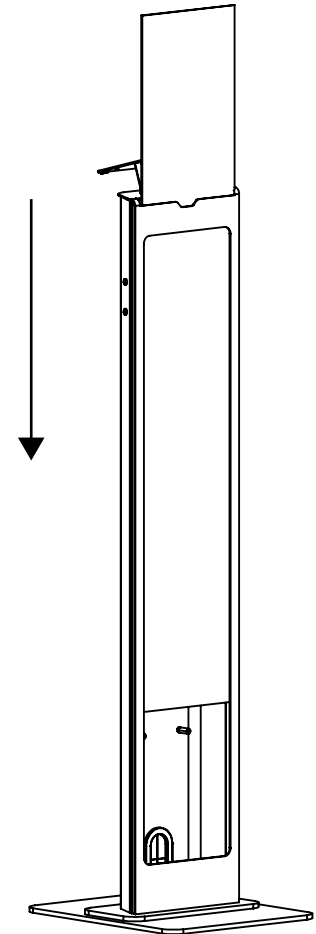
BOTTOM PLATE SIZE



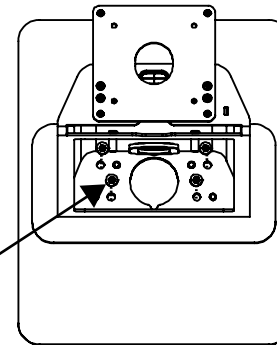
FLOOR MOUNTING PATTERN



PUT THE COVER PANEL BACK

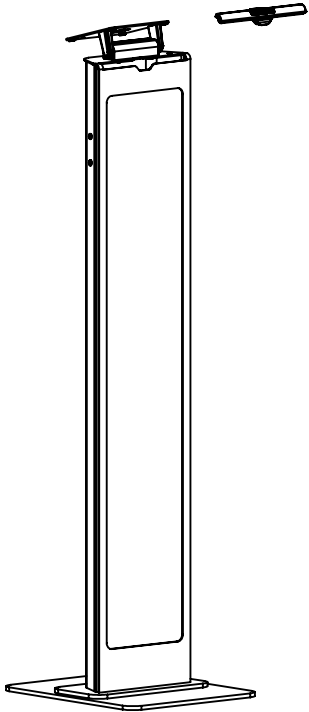


LOCATE SCREW HOLES IN BODY
BOTTOM PLATE
BOLT TO FLOOR USING
APPROPRIATE BOLTS
FOR FLOOR TYPE (NOT PROVIDED)

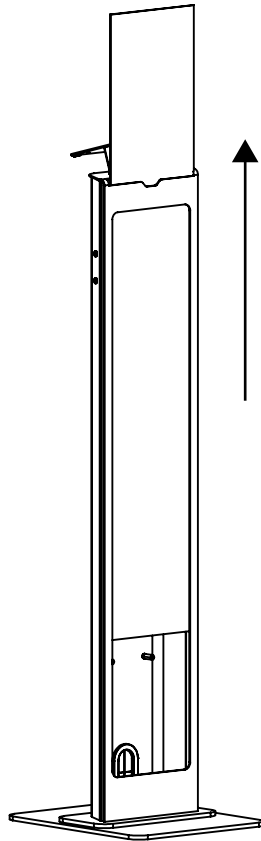


2 Cable Management Options

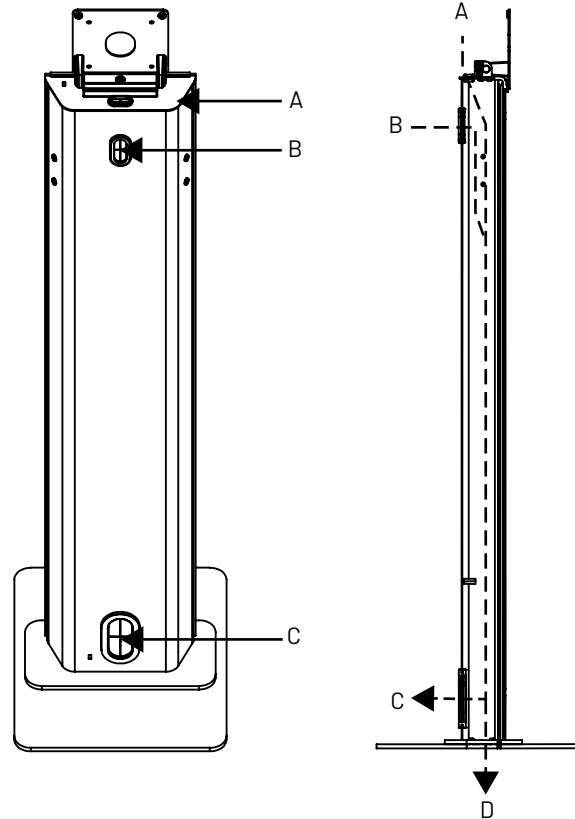
REMOVE RUBBER CAP



TAKE OUT COVER PANEL

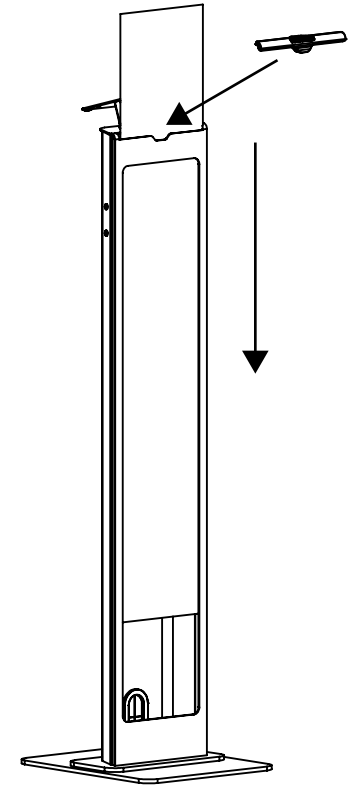


A - INLET IN TOP PLATE
B - INLET IN BACK PLATE
C - EXIT IN BACK PLATE
D - EXIT IN BASE PLATE



1. PUT THE COVER PANEL BACK
2. PUT BACK THE RUBBER CAP*

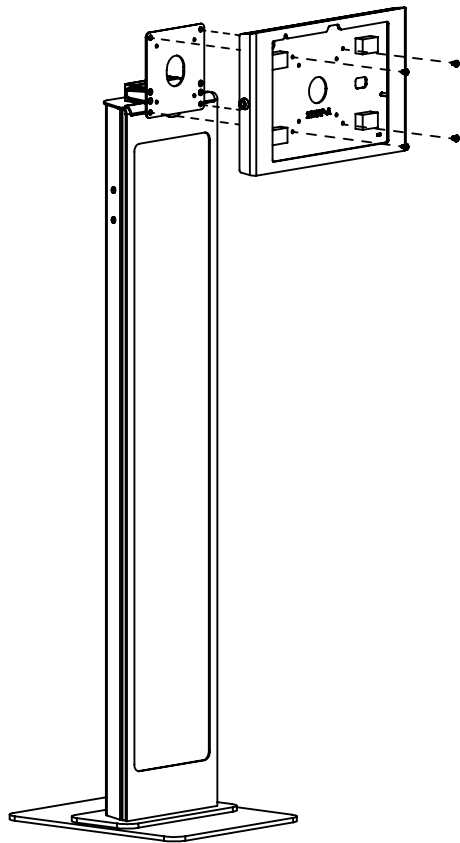
*for easier insertion the rubber cap, use a flat head screwdriver or similiar object to adjust the cap.



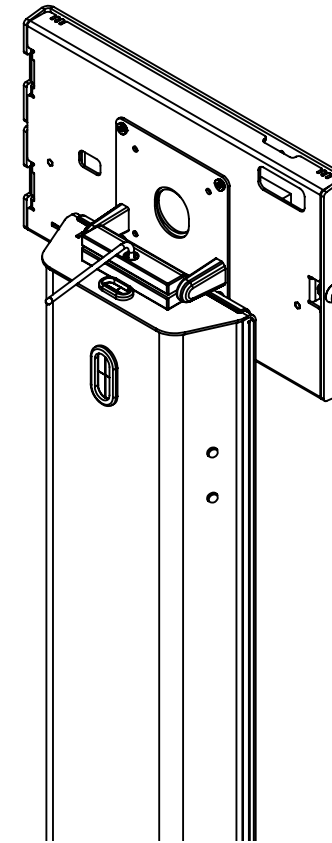
3A Install Device

3B

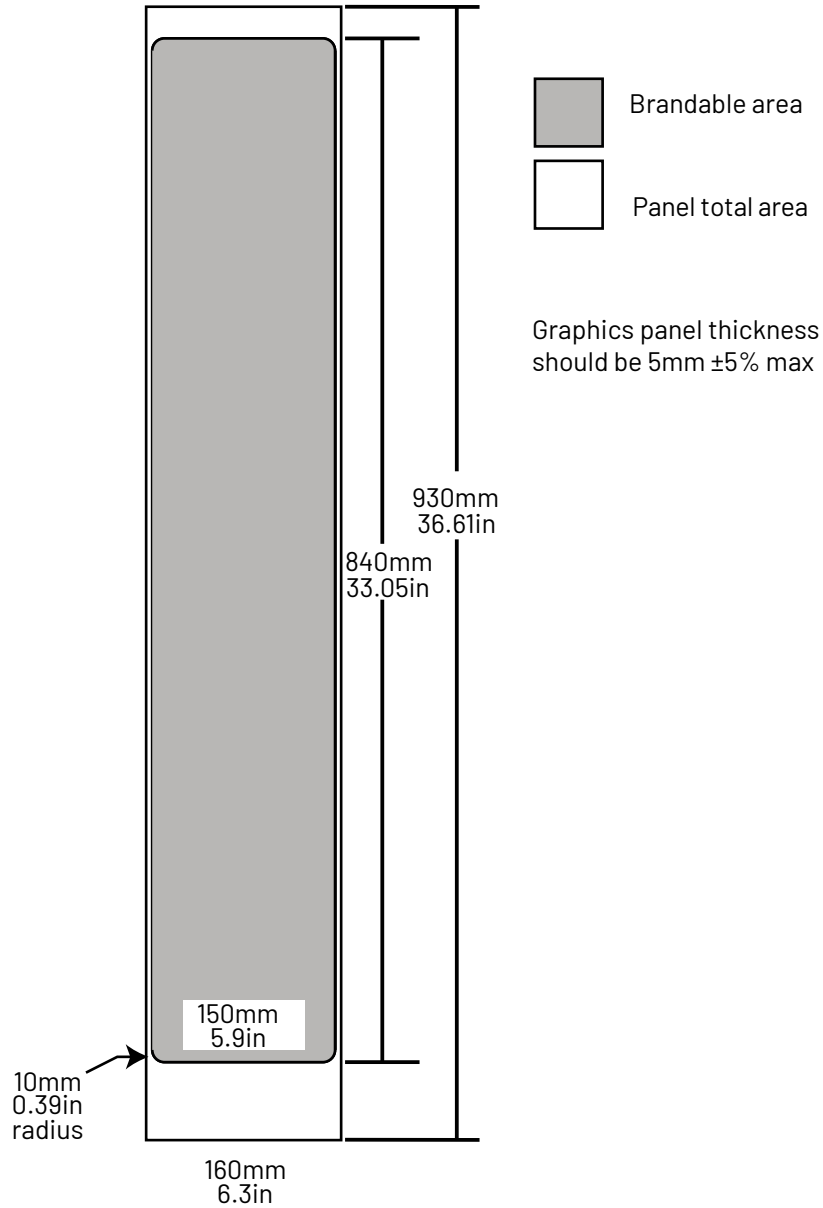
INSTALL YOUR TABLET ENCLOSURE
(OR VESA COMPATIBLE MOUNTING SOLUTION)
USING FOUR M4x8mm PHILLIPS PAN HEAD SCREWS (PROVIDED)



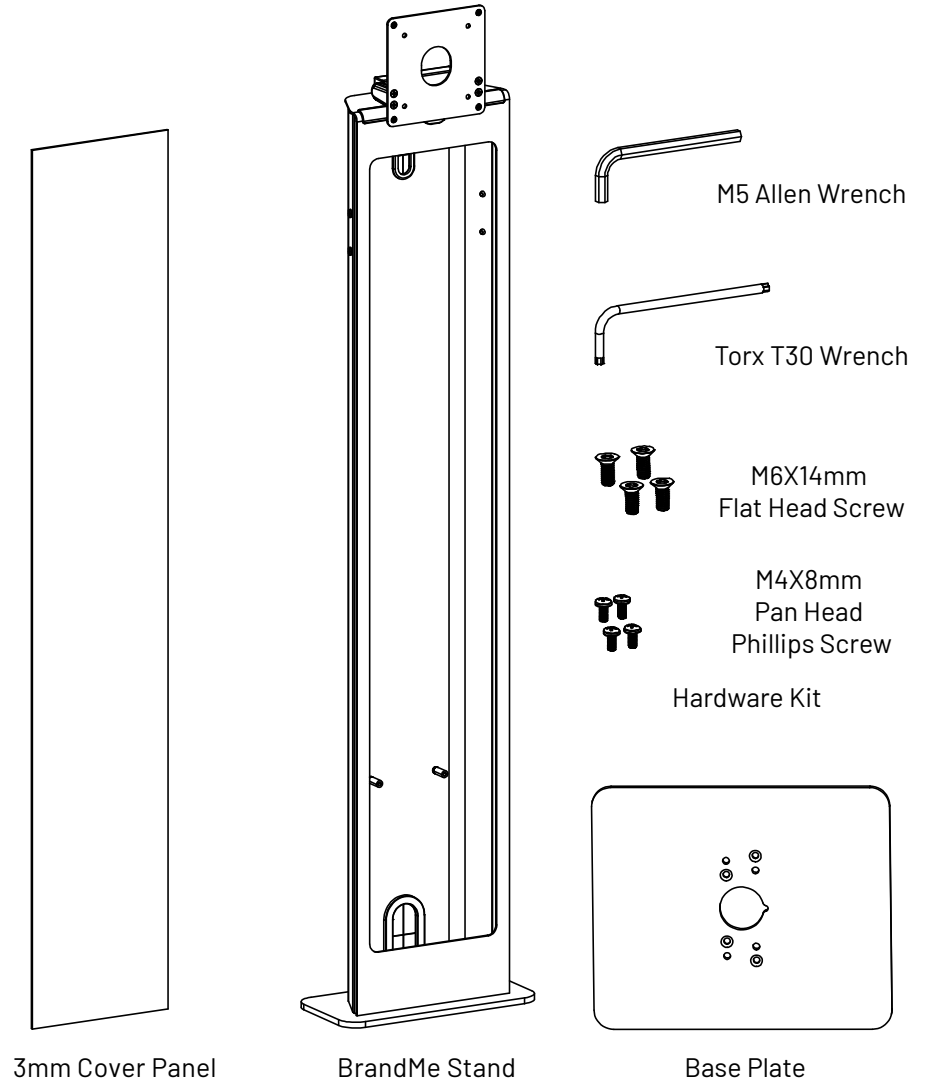
ADJUST TILT RESISTANCE BY
TIGHTENING THE SCREW LOCATED
ON THE HINGE ASSEMBLY



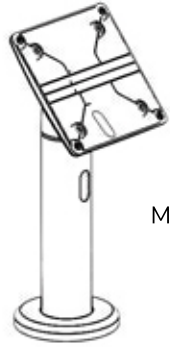
Graphic Panel Specifications



In The Box

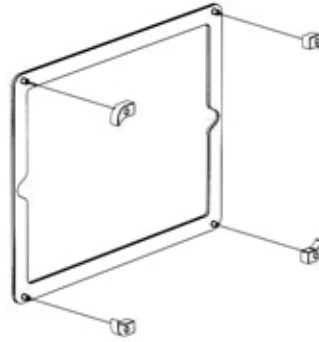


1

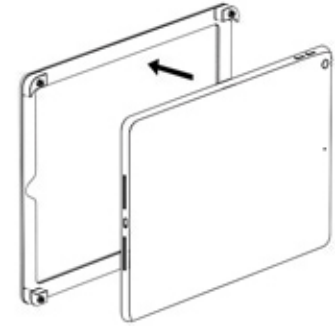


FOLLOW STAND
MOUNTING INSTRUCTIONS

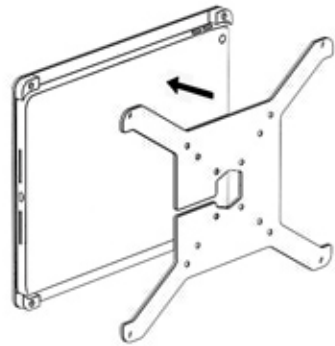
2



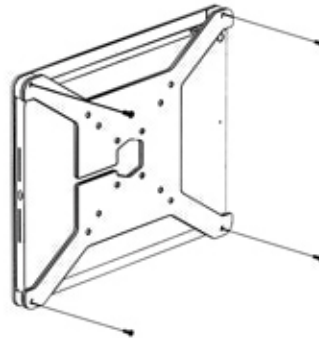
3



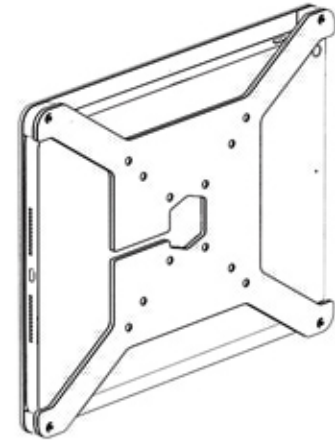
4



5



6



IN THE BOX



Screwdriver



X4

Tamper proof screws



X4

Plastic Corners