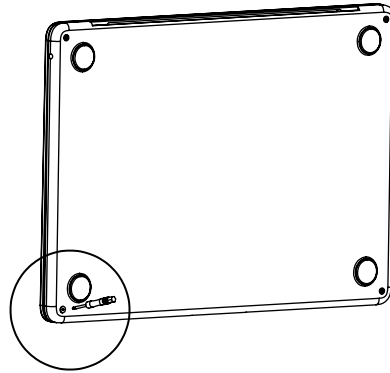
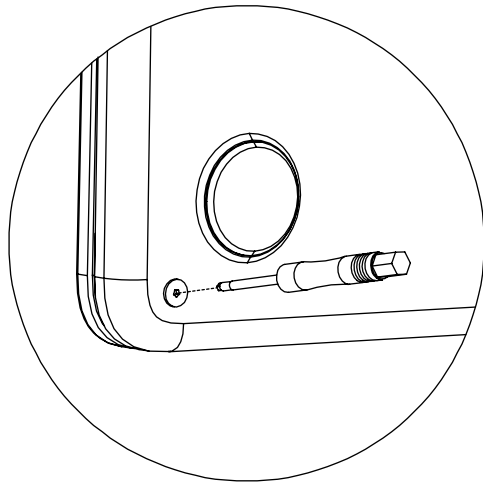


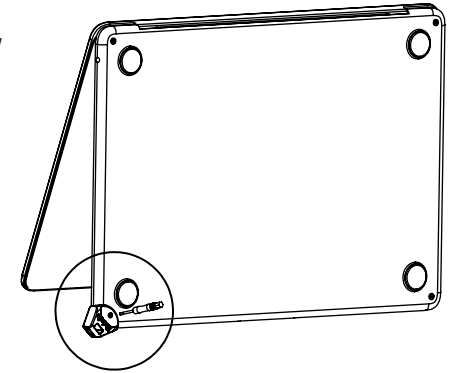
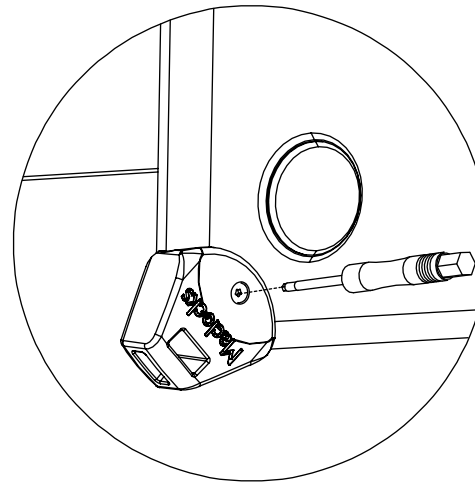
1

REMOVE SCREW ON THE CORNER OF THE LAPTOP USING SCREWDRIVER PROVIDED

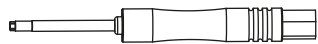


2

INSTALL LEDGE WHILE THE LAPTOP'S LID IS OPEN WITH THE SCREW PROVIDED



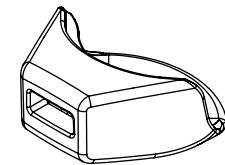
IN THE BOX



Screwdriver



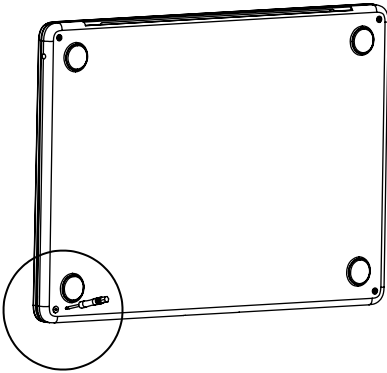
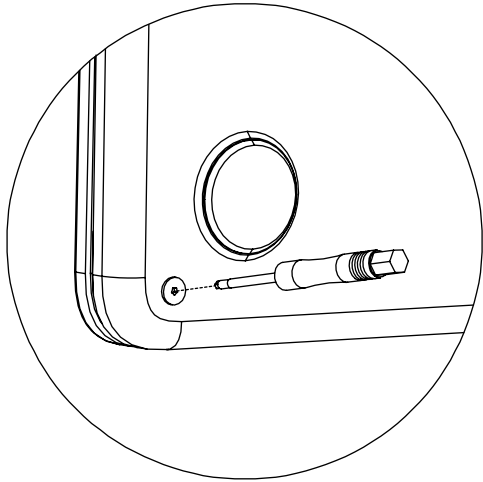
Attachment Screws
(Only one screw is required)



Ledge

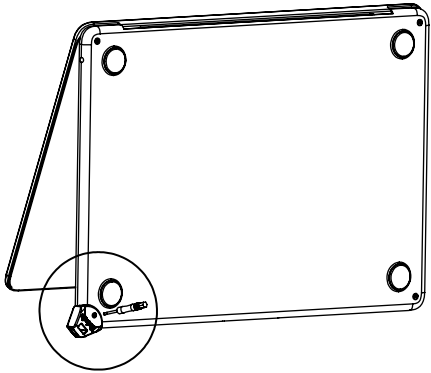
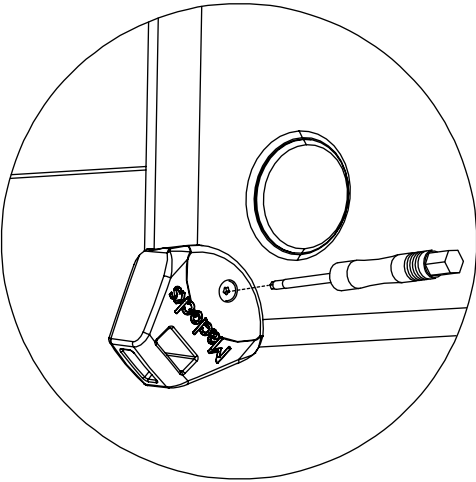
1

REMOVE SCREW ON THE CORNER OF THE LAPTOP USING SCREWDRIVER PROVIDED

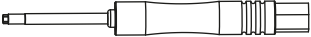


2

INSTALL LEDGE WHILE THE LAPTOP'S LID IS OPEN WITH THE SCREW PROVIDED



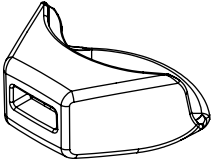
IN THE BOX



Screwdriver



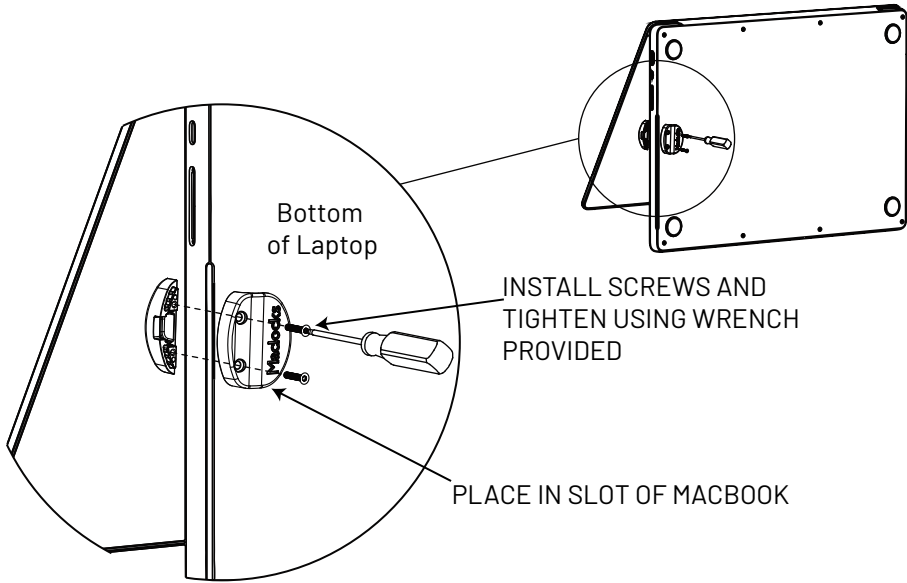
Attachment Screws
(Only one screw is required)



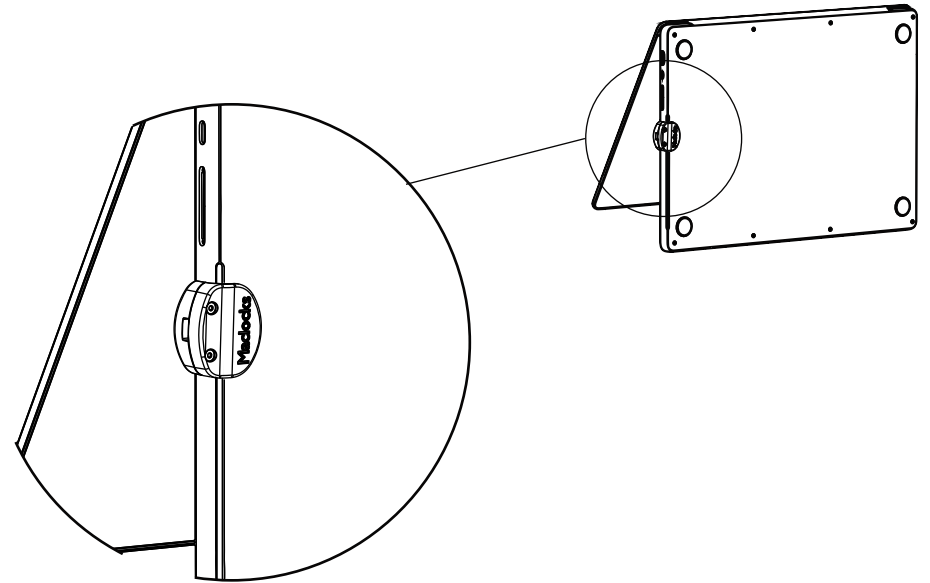
Ledge

Assembly Instructions

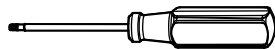
1



2



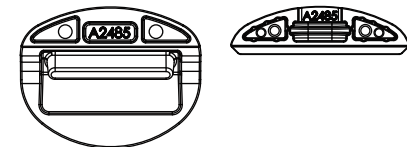
IN THE BOX



Torx driver T-7



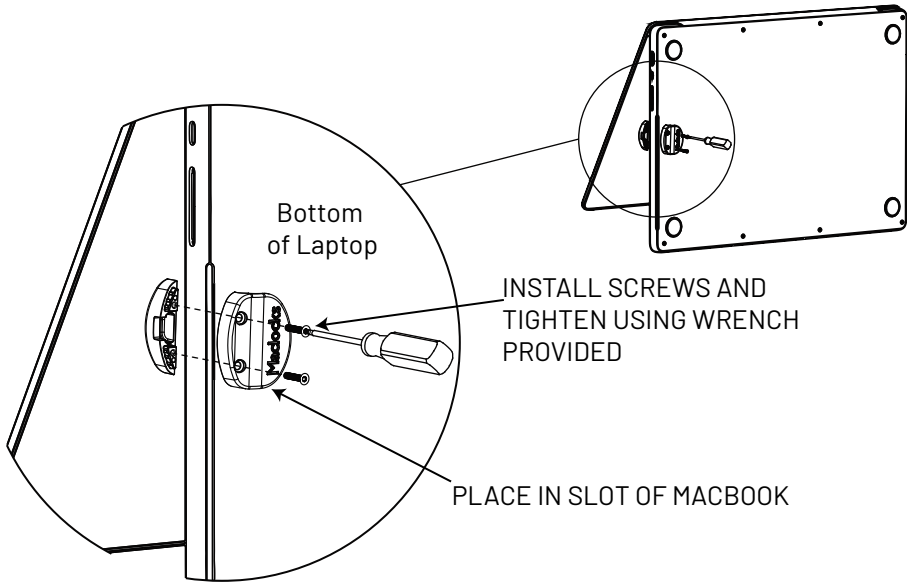
Attachment Screws
(Only two screws are required)



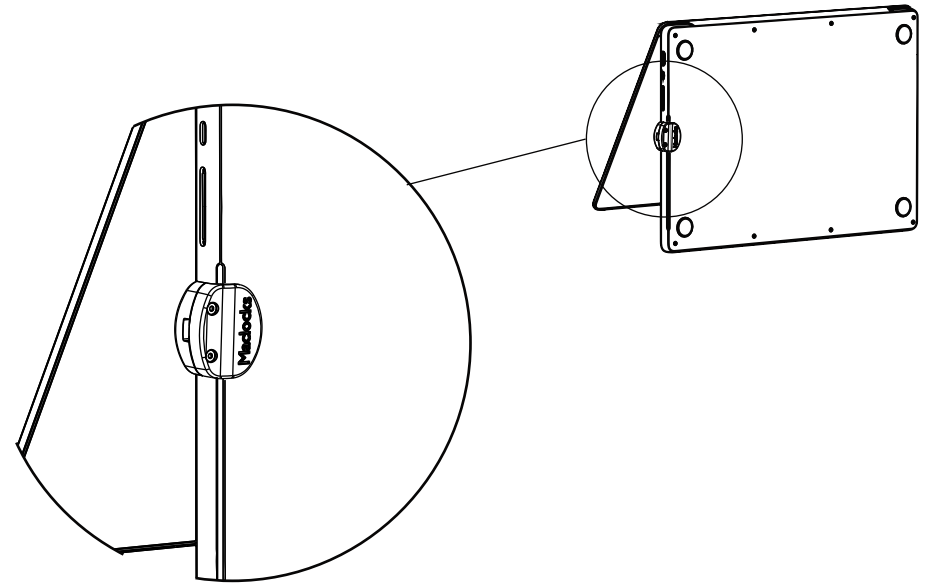
Ledge two parts

Assembly Instructions

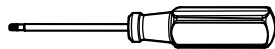
1



2



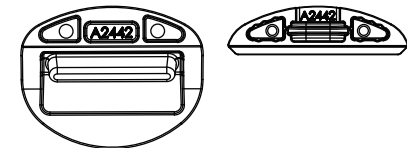
IN THE BOX



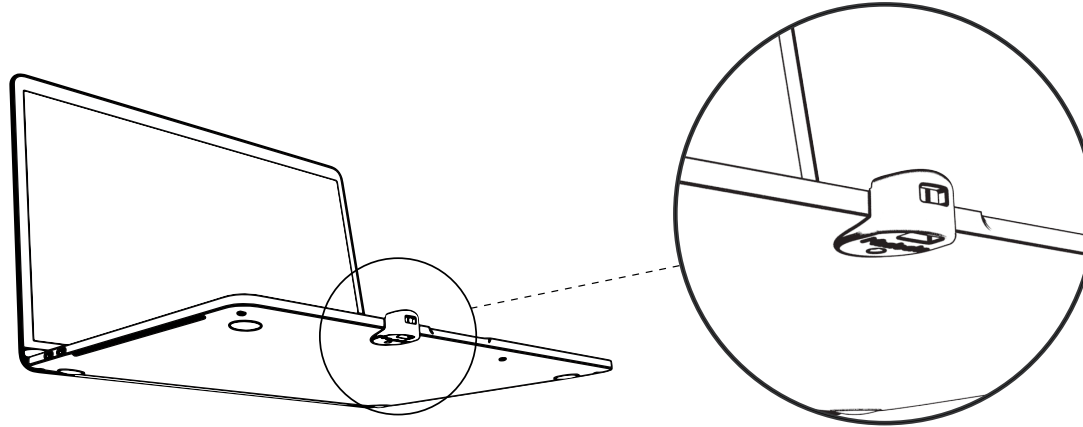
Torx driver T-7



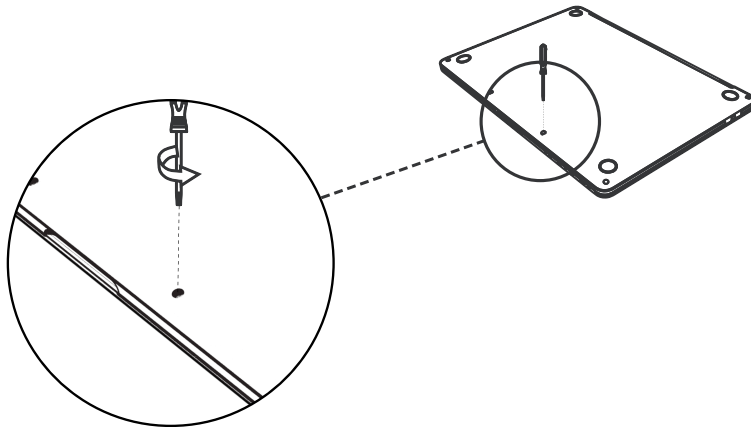
Attachment Screws
(Only two screws are required)



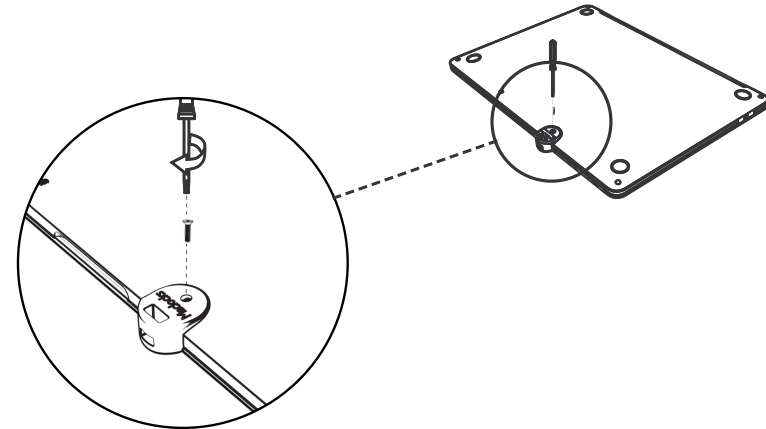
Ledge two parts



1 REMOVE ONE OF THE TWO FRONTAL SCREWS



2 ALIGN THE LEDGE WITH THE SCREW HOLE AND FASTEN WITH SUPPLIED SCREW



IN THE BOX



Screwdriver



Attachment Screws
(Only one screw is required)



Ledge