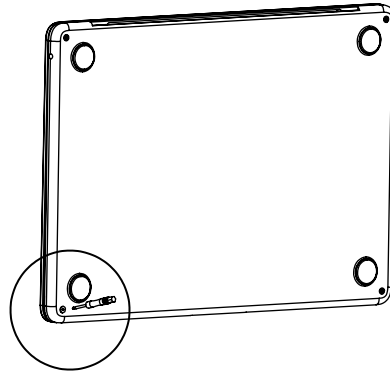
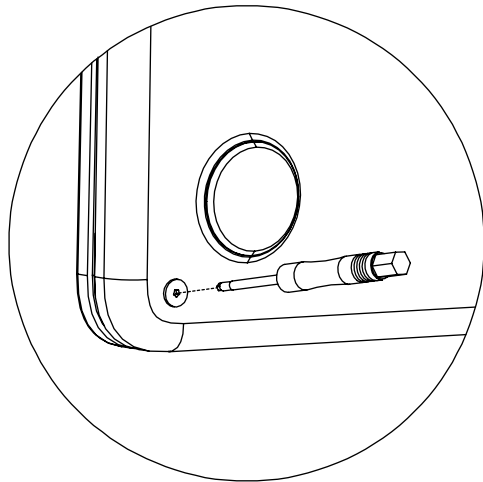


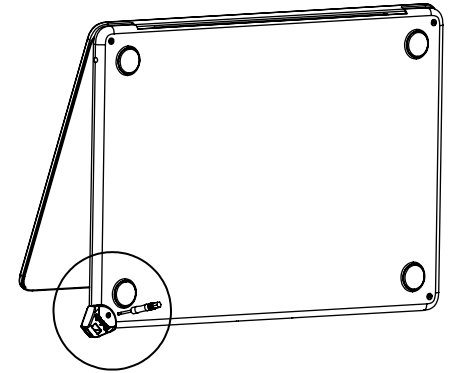
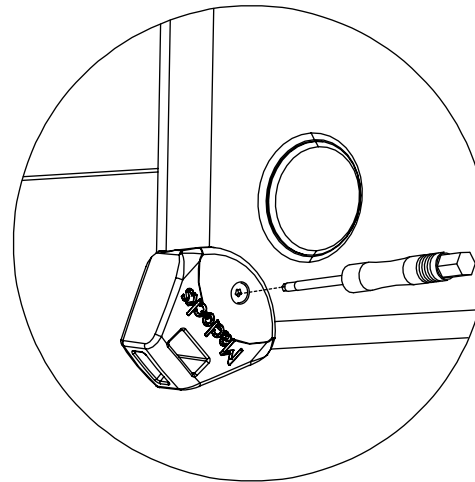
1

REMOVE SCREW ON THE CORNER OF THE LAPTOP USING SCREWDRIVER PROVIDED

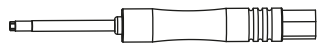


2

INSTALL LEDGE WHILE THE LAPTOP'S LID IS OPEN WITH THE SCREW PROVIDED



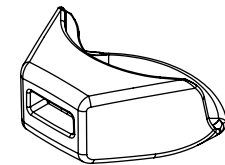
IN THE BOX



Screwdriver



Attachment Screws  
(Only one screw is required)

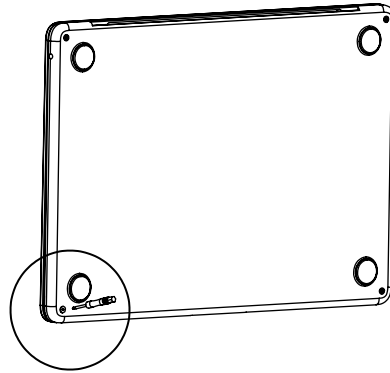
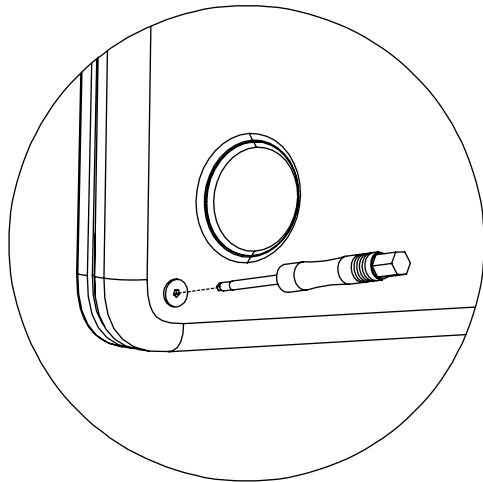


Ledge

Assembly Instructions

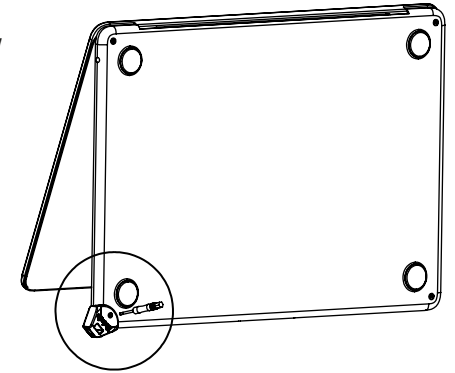
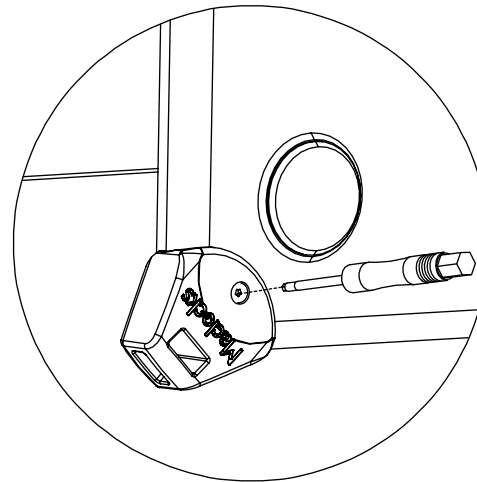
1

REMOVE SCREW ON THE CORNER OF THE LAPTOP USING SCREWDRIVER PROVIDED

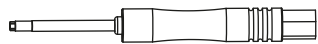


2

INSTALL LEDGE WHILE THE LAPTOP'S LID IS OPEN WITH THE SCREW PROVIDED



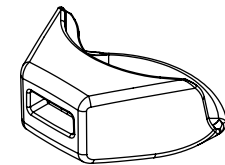
IN THE BOX



Screwdriver



Attachment Screws  
(Only one screw is required)

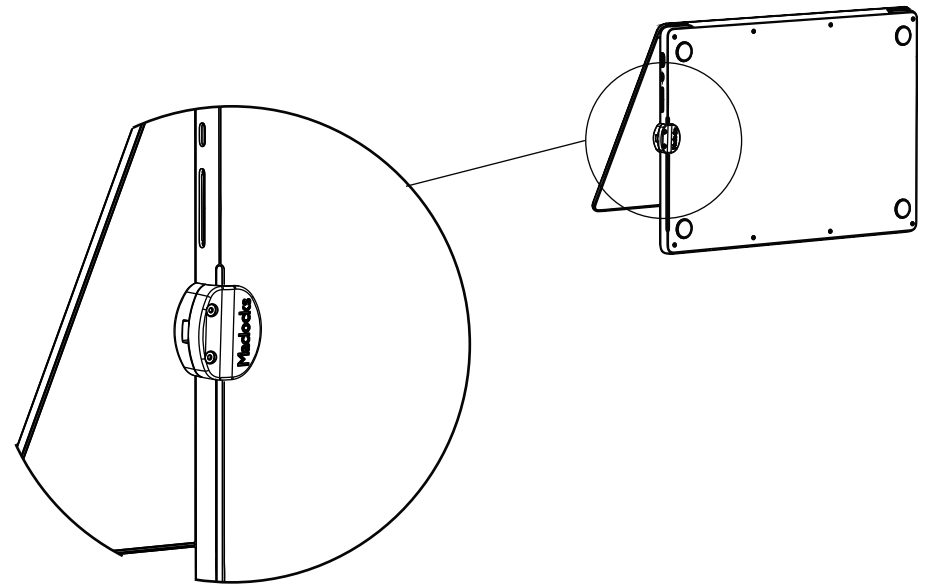
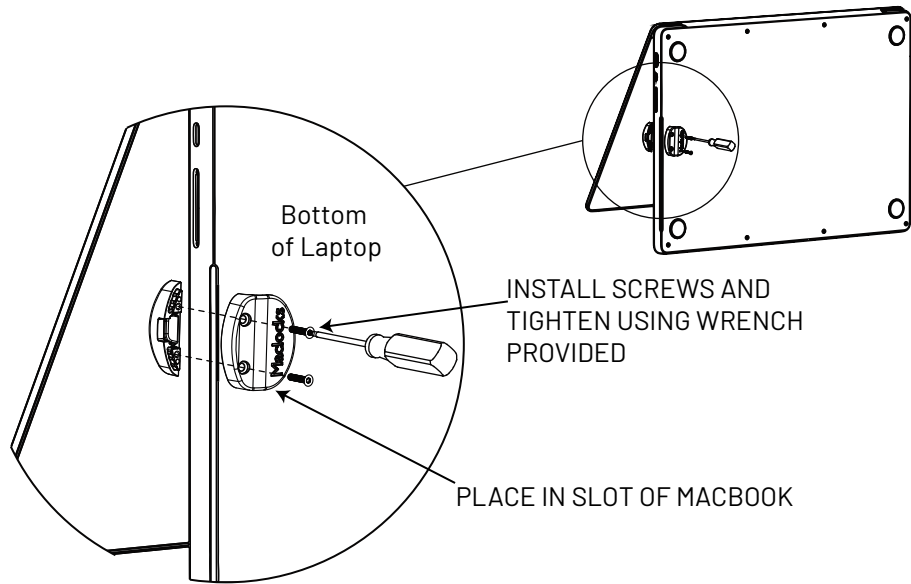


Ledge

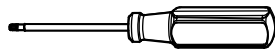
Assembly Instructions

1

2



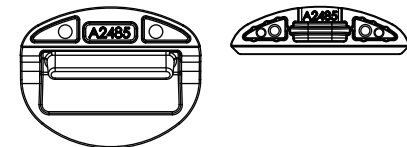
IN THE BOX



Torx driver T-7



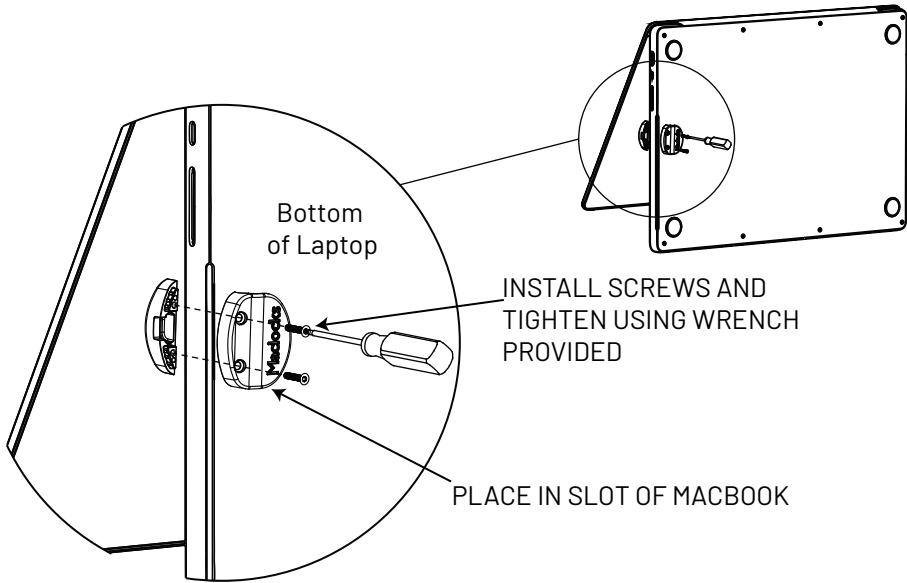
Attachment Screws  
(Only two screws are required)



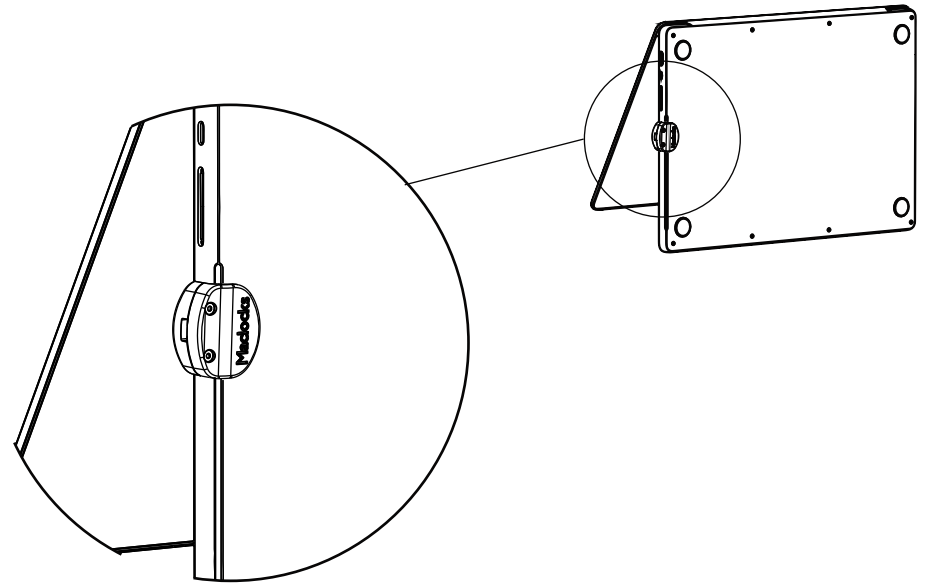
Ledge two parts

Assembly Instructions

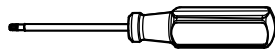
1



2



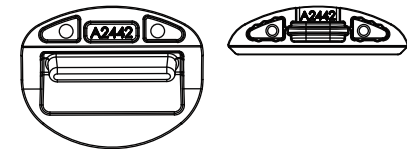
IN THE BOX



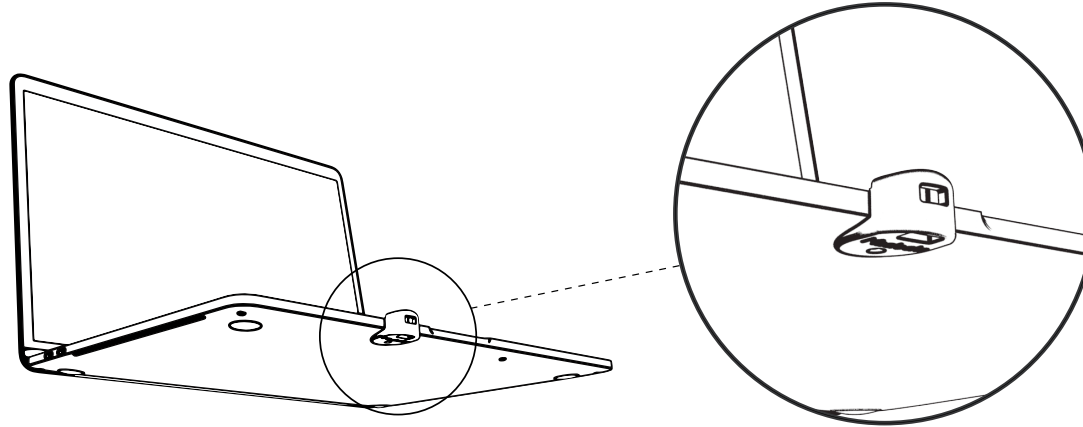
Torx driver T-7



Attachment Screws  
(Only two screws are required)

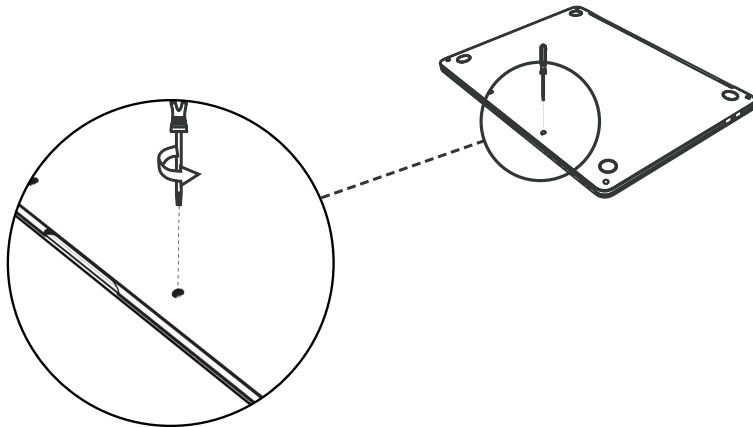


Ledge two parts



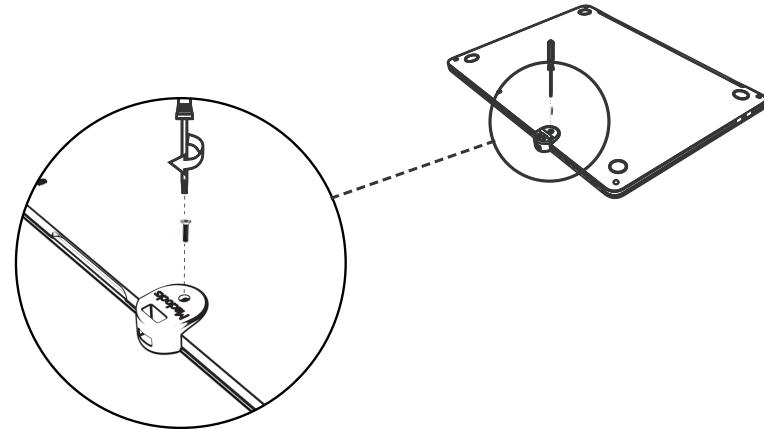
1

REMOVE ONE OF THE TWO FRONTAL SCREWS



2

ALIGN THE LEDGE WITH THE SCREW HOLE AND FASTEN WITH SUPPLIED SCREW



IN THE BOX



Screwdriver



Attachment Screws  
(Only one screw is required)



Ledge