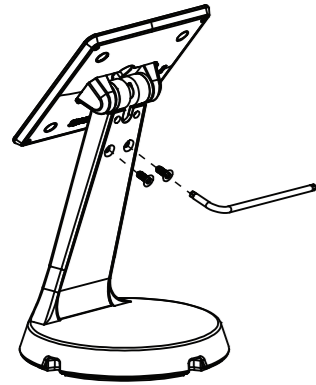


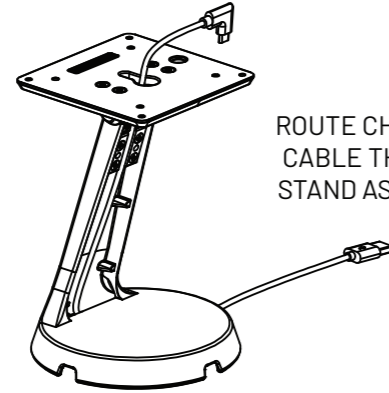
Through Stand Cable Assembly

1



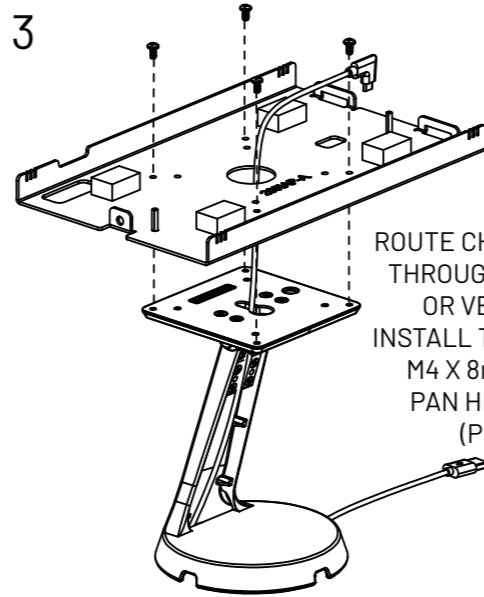
REMOVE FRONT COVER.  
USE T-20 TORX  
WRENCH (PROVIDED)  
TO REMOVE M4 X 10mm  
TORX FLAT HEAD SCREWS

2



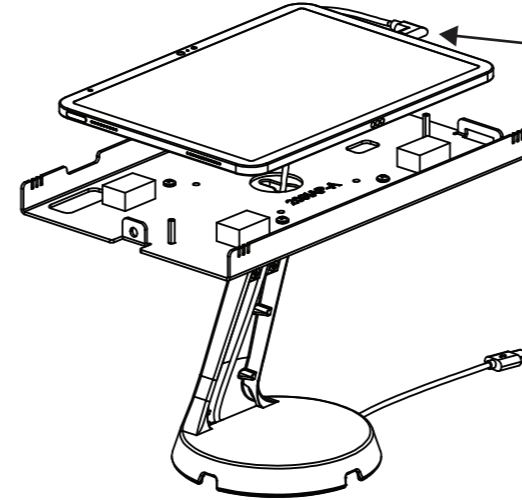
ROUTE CHARGING  
CABLE THROUGH  
STAND AS SHOWN

3



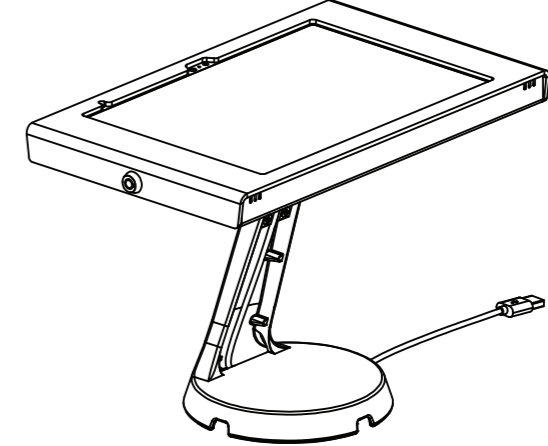
ROUTE CHARGING CABLE  
THROUGH ENCLOSURE  
OR VESA MOUNT.  
INSTALL TO STAND USING  
M4 X 8mm PHILLIPS  
PAN HEAD SCREWS  
(PROVIDED)

4



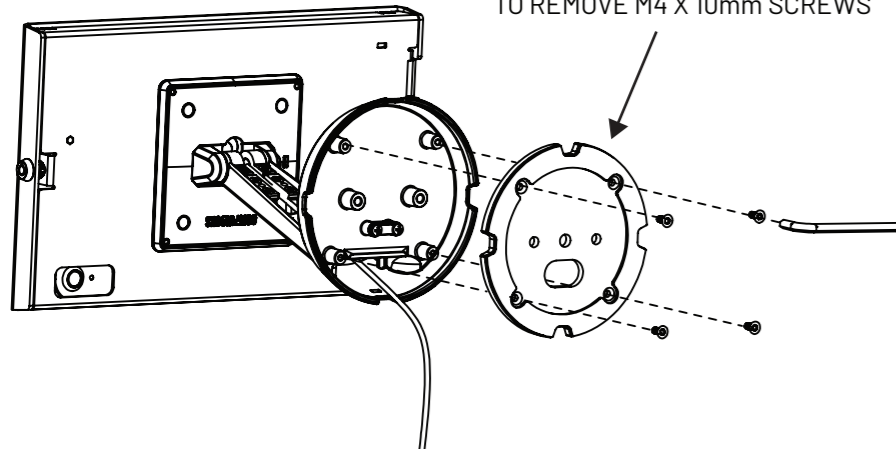
ATTACH CHARGING CABLE  
TO TABLET, LEAVE A SMALL LOOP  
OF CABLE BENEATH THE TABLET

5



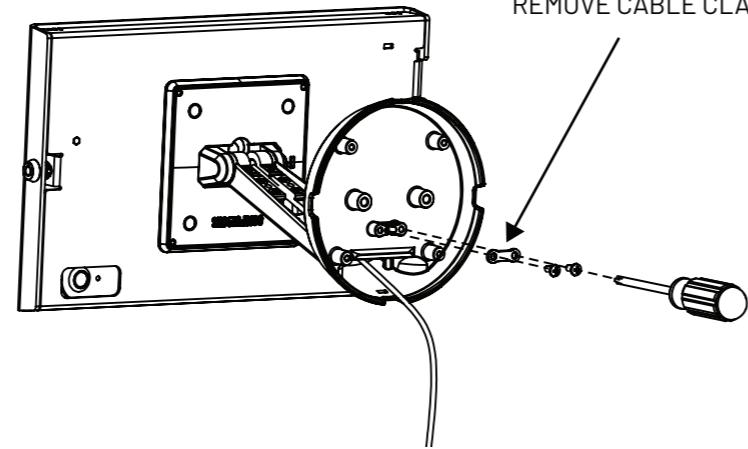
INSTALL THE REST OF THE ENCLOSURE  
OR VESA MOUNT  
PER THEIR INSTRUCTIONS

6



REMOVE BOTTOM PLATE.  
USE T-20 TORX WRENCH (PROVIDED)  
TO REMOVE M4 X 10mm SCREWS

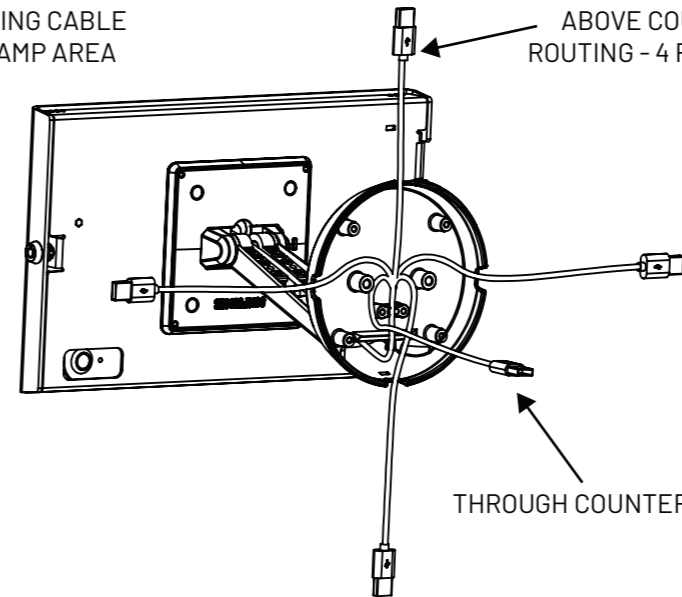
7



REMOVE CABLE CLAMP

8

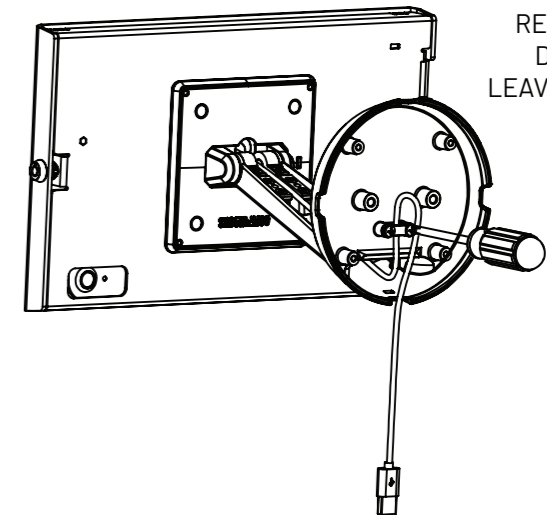
ROUTE CHARGING CABLE  
THROUGH CLAMP AREA



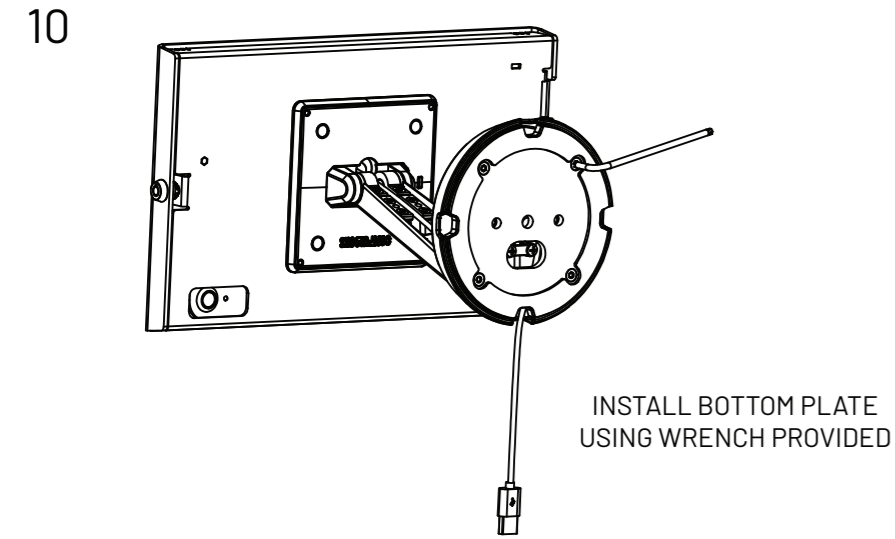
ABOVE COUNTER  
ROUTING - 4 POSITIONS

THROUGH COUNTER ROUTING

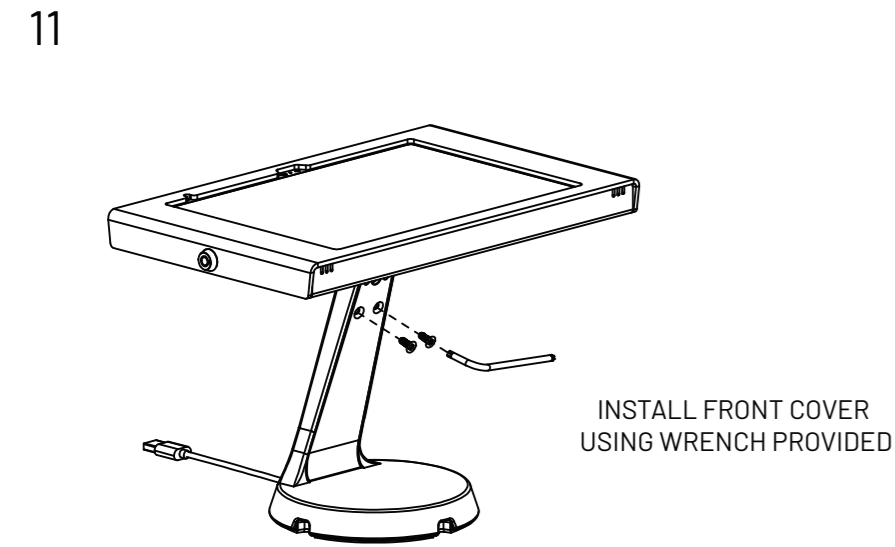
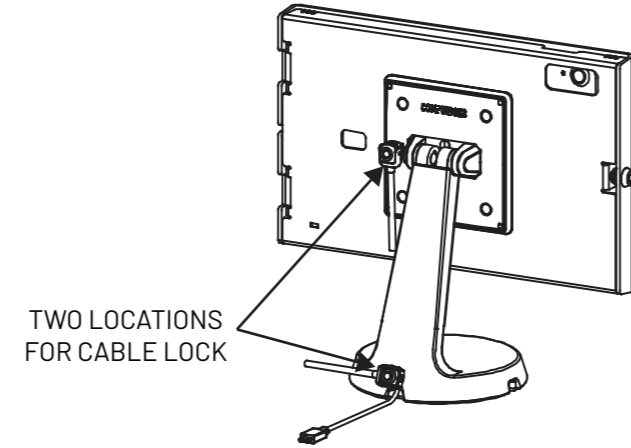
9



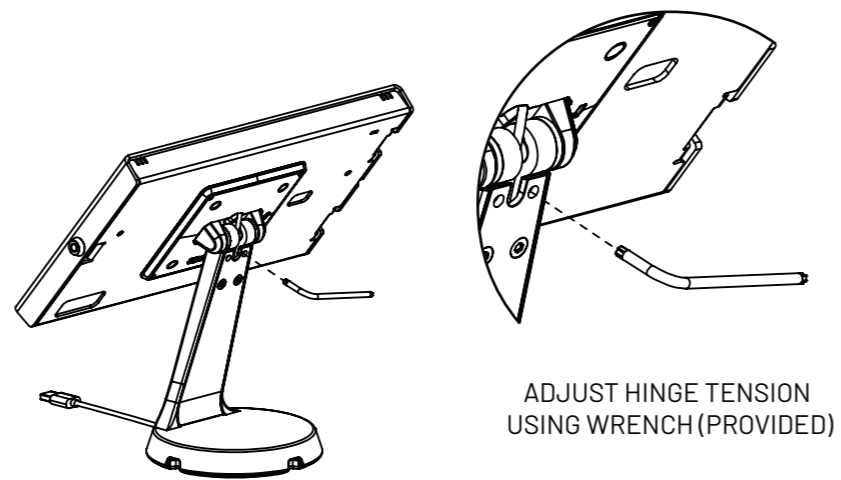
REINSTALL CABLE CLAMP  
DO NOT OVER TIGHTEN  
LEAVE SLACK IN POWER CORD  
BELOW CLAMP



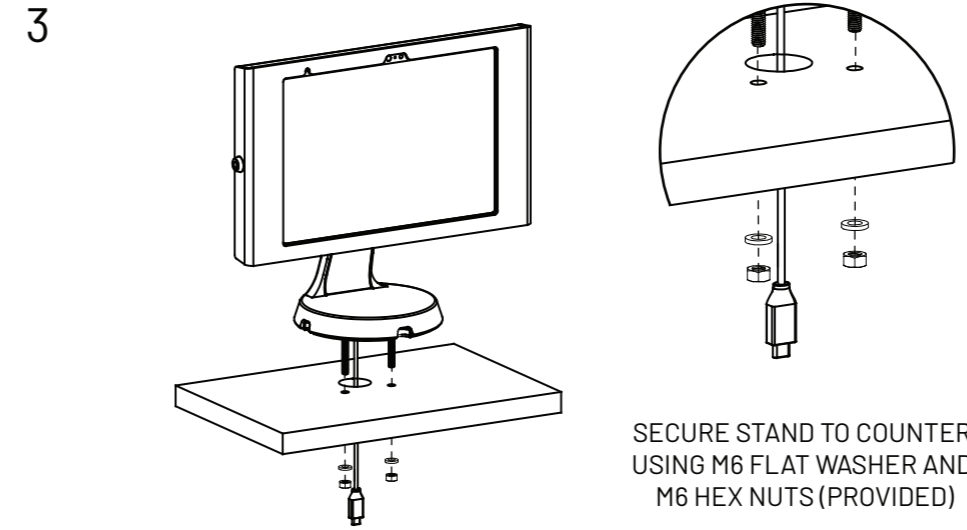
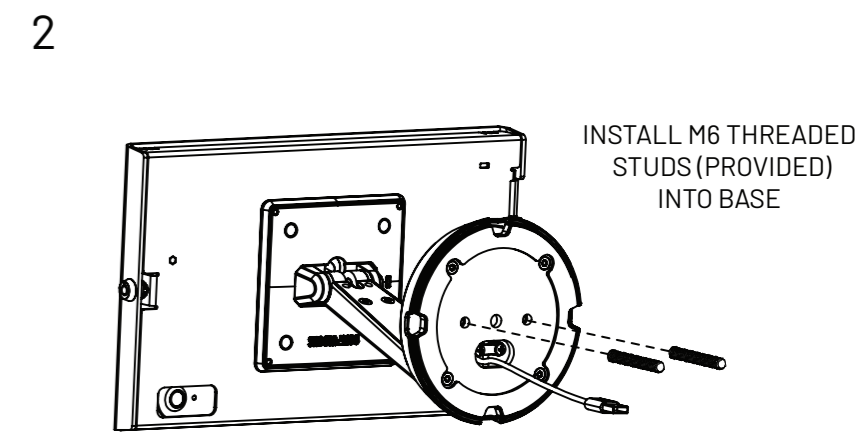
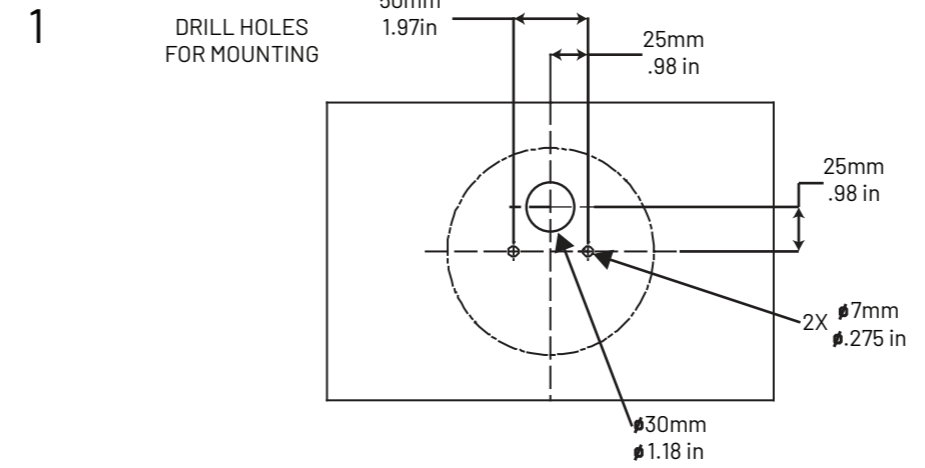
**Securing Stand Using Cable Lock**



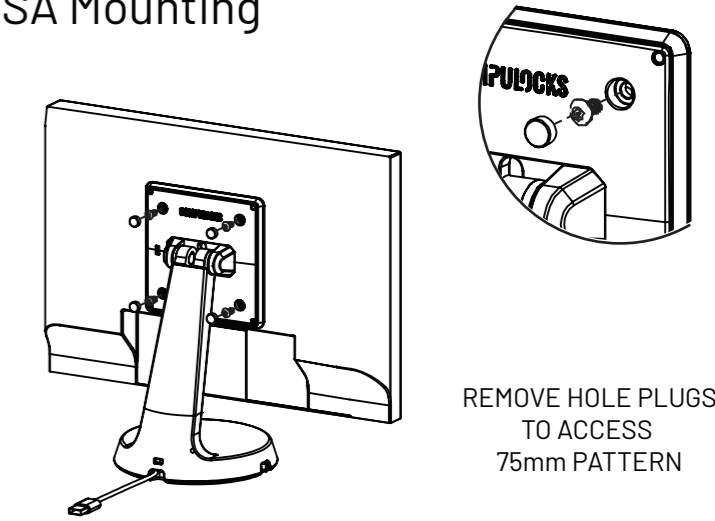
**Tilt Tension Adjustment**



**Secure Counter Mounting**



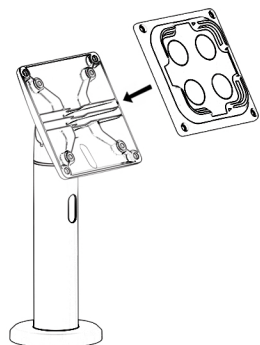
**75mm VESA Mounting**



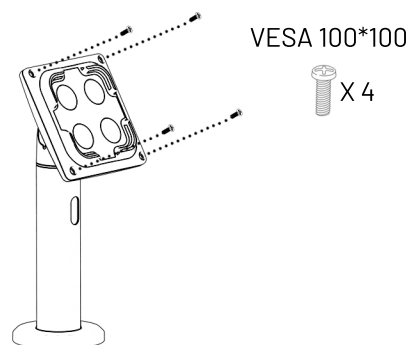
**IN THE BOX**



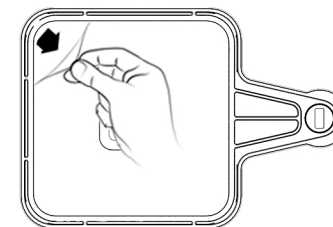
1



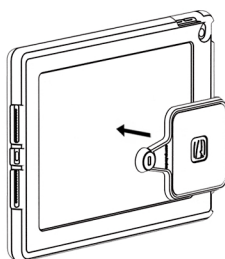
2



3



4

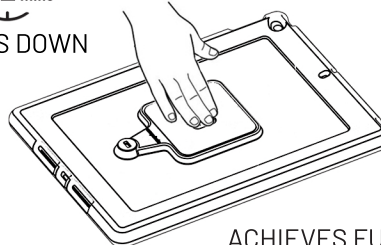


CLEAN MOUNTING AREA  
WITH ALCOHOL WIPES PROVIDED

5

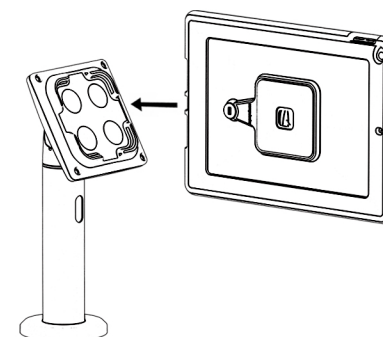


PRESS DOWN

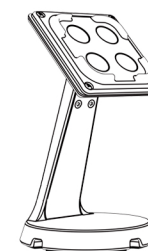
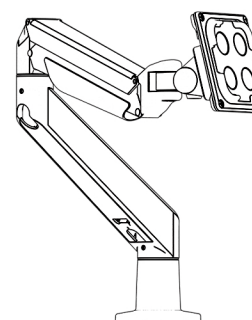
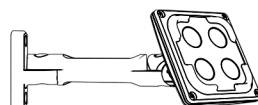
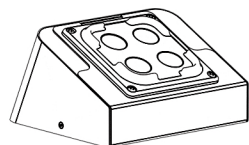


ACHIEVES FULL STRENGTH  
AFTER 24 HOURS

6



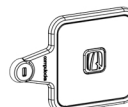
FITS VESA 100\*100 MOUNT STANDS



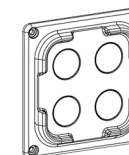
IN THE BOX



Alcohol Wipes



Tablet Bracket



Stand Bracket