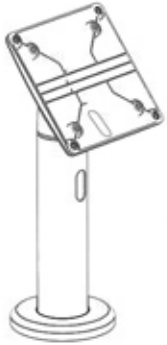


# Space

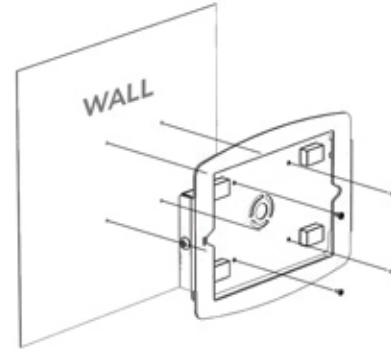
## Assembly Instructions

1

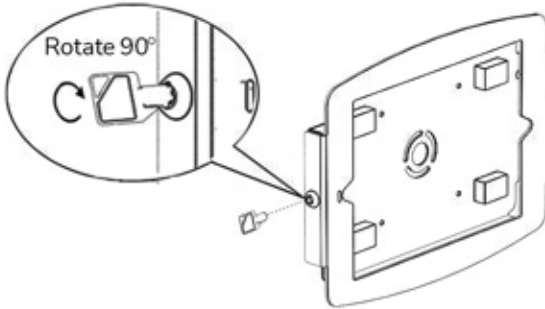


FOLLOW STAND  
MOUNTING INSTRUCTIONS

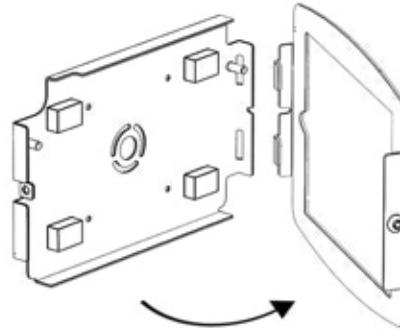
or



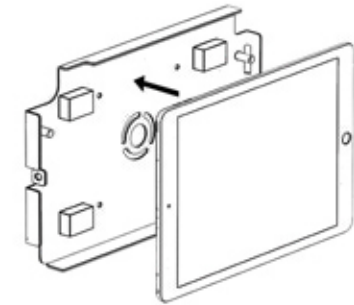
2



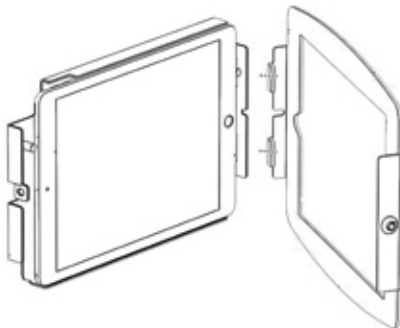
3



4



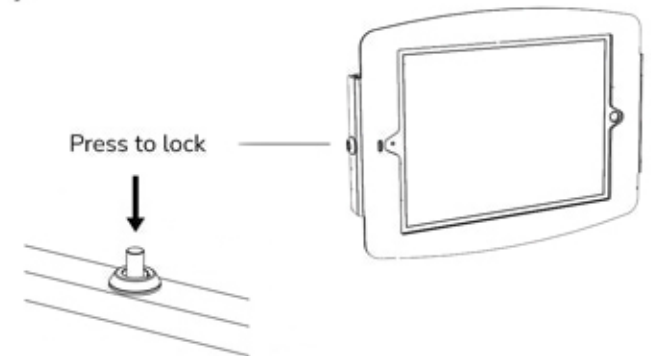
5



6



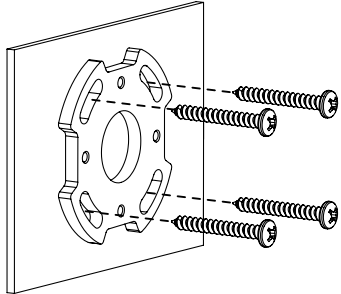
7



## Through Stand Cable Assembly

1

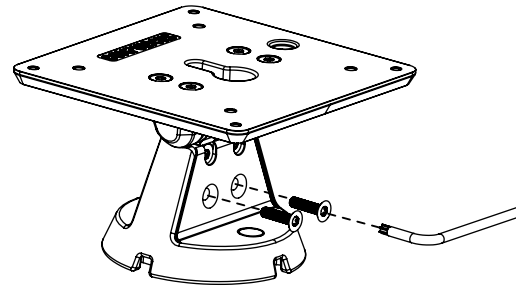
DRILL THE BOTTOM PLATE TO THE WALL \ COUNTER WITH 10 X 1½" PHILLIPS ROUND HEAD SCREWS (PROVIDED)



NOTE: IN A WOOD STUD INSTALATION ENSURE AT LEAST TWO VERTICALLY ALIGNED SCREWS ARE SECURED INTO THE STUD.

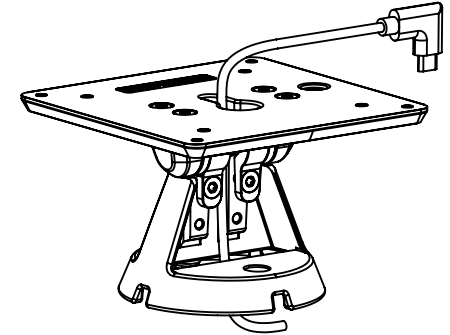
2

REMOVE FRONT COVER. USE T-20 TORX WRENCH (PROVIDED) TO REMOVE M4 X 10mm TORX FLAT HEAD SCREWS



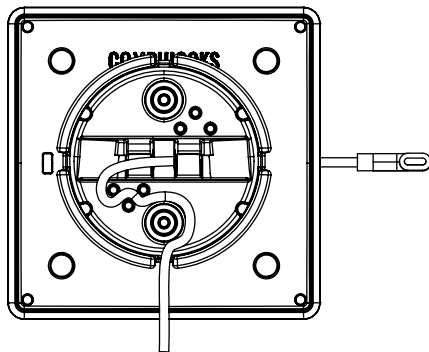
3

ROUTE CHARGING CABLE THROUGH STAND AS SHOWN



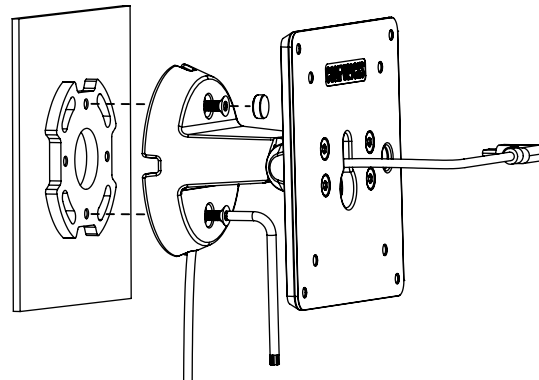
4

ROUTE CHARGING CABLE THROUGH STAND AS SHOWN



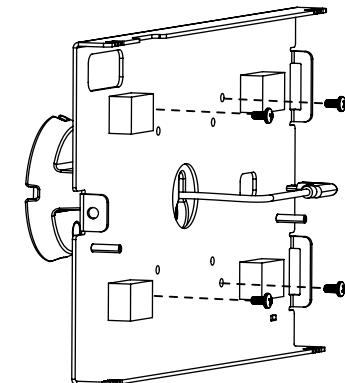
5

INSTALL THE STAND TO THE BOTTOM PLATE USING WRENCH PROVIDED

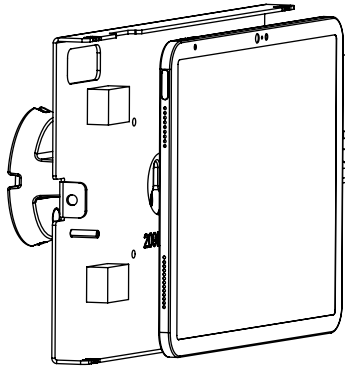


6

ROUTE CHARGING CABLE THROUGH ENCLOSURE OR VESA MOUNT. INSTALL TO STAND USING M4 X 8mm PHILLIPS PAN HEAD SCREWS (PROVIDED)

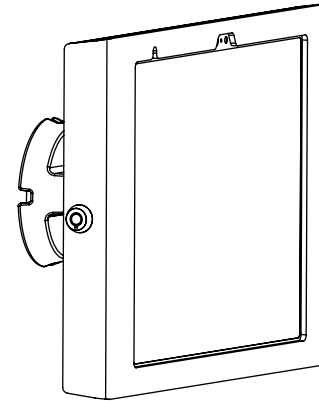


7



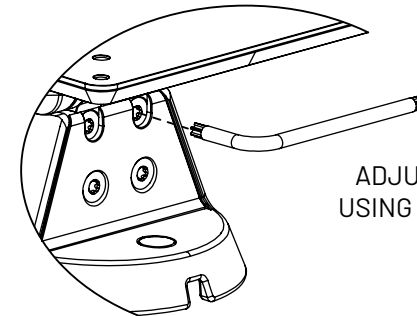
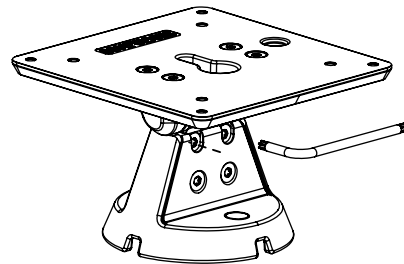
ATTACH CHARGING CABLE TO TABLET, LEAVE A SMALL LOOP OF CABLE BENEATH THE TABLET

8



INSTALL THE REST OF THE ENCLOSURE OR VESA MOUNT PER THEIR INSTRUCTIONS

**Tilt Tension Adjustments**

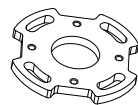


ADJUST HINGE TENSION USING WRENCH (PROVIDED)

**IN THE BOX**



Bow Stand



Bottom Plate



Rubber Plugs



10 X 1 1/2" Phillips Round Head Screw



M4 X 10mm Torx Flat Head Screw



M4 X 8mm Phillips Pan Head Screw



T20 TORX L-Wrench